

Loading Signage...



Signage in...

Approach, DSIGN will do the rest...

رجل فاقد البصر, كبير السن, كان يجلس على زاوية شارع مزدحم في وقت الذروة يستجدي مالا. و بجانبه لوحة مكتوبة: "أعمى...انصروني من فضلكم".

لا أحد كان يعطي له شيئا من المال.

كاتب إعلان شاب تجاوز و رأى الرجل فاقد البصر بإشارته و كأسه الفارغ , و رأى العديد من الناس أيضا يمرون به. ولا أحدا تمنع إشارته.

كاتب الإعلان أخذ قلما سميكا من جيبه , وكتب في خلف اللوحة بعض الإعلان , ثم راح في طريقه.

و على الفور. بدأ الناس بوضع المال إلى الكأس.

بعد فترة , عندما الكأس المال كان يفيض , سأل العجوز فاقد البصر غريبا لإخباره الذي قالت الإشارة الآن.

قال الغريب: إنه تقول: "هو يوم جميل. يمكنكم أن ترواه. و أنا لا أستطيع".

لوحة إعلانية... يمكن أن تظهر هويتك....



An old blind man was sitting on a busy street corner in the rush-hour begging for money. On a cardboard sign, he had written: "Blind-Please help".

No-one was giving him any money.

A young advertising writer walked past and saw the blind man with his sign and empty cup, and also saw the many people passing by completely unmoved, let alone stopping to give money.

The advertising writer took a thick marker-pen from his pocket, turned the cardboard sheet back-to-front, and re-wrote the sign, then went on his way.

Immediately, people began putting money into the tin cup.

After a while, when the cup was overflowing, the blind man asked a stranger to tell him what the sign now said.

"It says", said the stranger, "It's a beautiful day. You can see it. I cannot".

A Signage can show your Identity



TABLE OF CONTENTS

CAMBERED SERIES

1

K SYSTEM SERIES

8

PLANE SIGN SERIES

22

UPRIGHT PYLON

30

LIGHTBOX SERIES

40

CLIP FRAME SERIES

45

A T M SERIES

49

INTRODUCTION

Dsign is a complete signage solution provider, offering various sign solutions. Dsign is started and managed by a well experienced Signage Professional with vast experience of 15 years in the field of Signage industry in KSA.

Dsign is the Franchise of Orlando Sign in the Kingdom of Saudi Arabia. (Orlando Sign is a Malaysian based company and operation located Changzhou). Dsign is a leading manufacturer & supplier of sign system & profiles. We have been specialized in various Indoor and Outdoor Signs and Materials for more than 15 years. We have a wide area of Modular system manufacturing unit and Custom made as well as. Our comprehensive range of products enjoy popular sales in the world market. We have more than 600 employees, and manufacturing area of over 16,000 M². Furthermore, we import advanced technology and production equipment such as:

4 Color Printing Machine, 3 Vacuum forming Machines. Imported NC linear Cutter. Large Hydraulic Pressure water Cutter. Laser engraver. Machine engraver. Vehicles spray booth. Paint shower booth. Large bending machine. Guillotine shears. Punching Machine.

We have a range of more than 25 indoor and outdoor modular systems, suitable for use as Advertising panels, Architectural signs, Directional signs, Directories and Landmark signs. Apart from these sign systems, the company also provides Design and Custom-built capabilities using high-end techniques, merchandising Display Stands, and other innovative solutions to meet clients' special requirements.

OUR MODULAR SYSTEMS INCLUDES:

Modular Sign System. Plane Modular Sign System. Curved Modular Sign System. Light Box System. Building Index Sign System. Outdoor Pylon Sign System. Picture Frame. Acrylic Sign System. ATM SHADE

The nature of our signage and sign system involves the following:-
Sign Consultancy involving conceptualization of the design theme with detailed material specifications, identified locations and designs for each and every signage. Manufacturing and fabrication of all signage. Installation and handing over. Contract maintenance

With more than 15 years experience, we have been one of the largest sign manufacturer in the Asia, with good reputation, reasonable price, advanced production technology, our products has been exported to many countries of Asia, Europe, America and Africa.

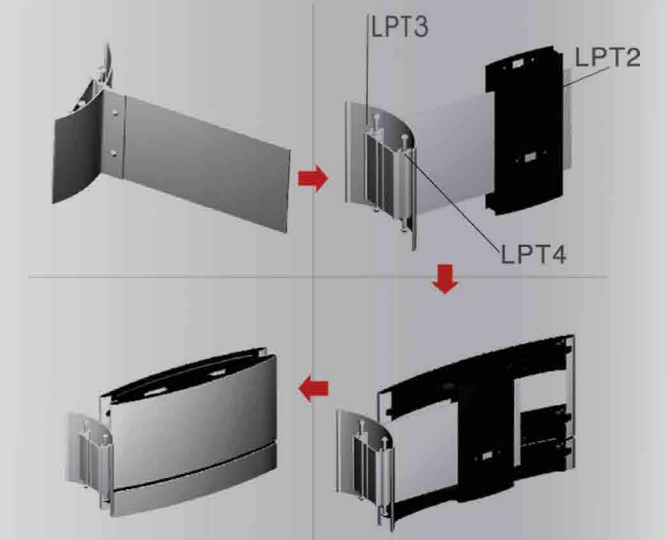


01

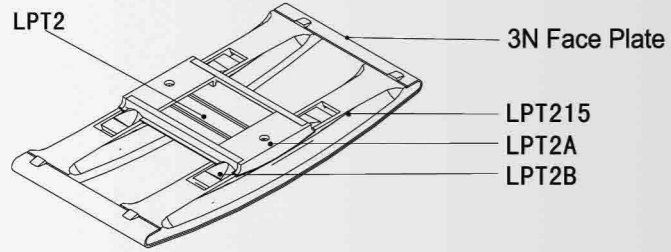
Cambered brand system is used for Indoor and Outdoor, which can be made as Door Signs, Wall-mounted menu boards, Suspended Signs.



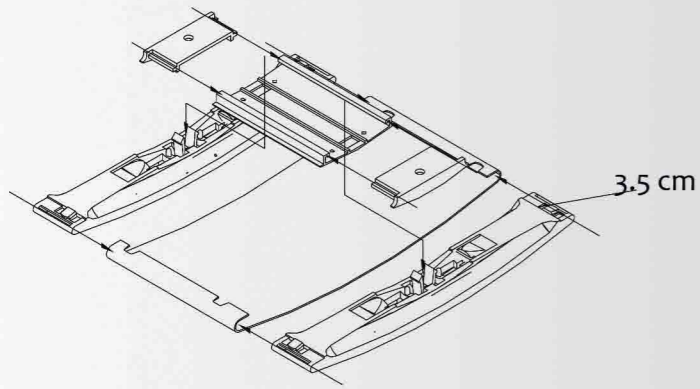
CAMBERED BRAND SERIES



Cambered Series are widely used for Official Buildings, University, Hospitals, Supermarkets, Shopping Mall, etc...



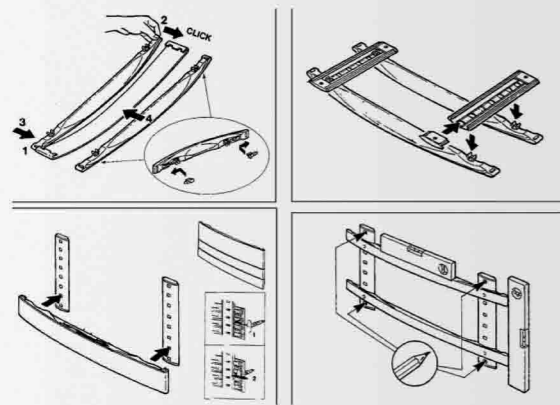
Assembly instruction for back side



First, equip supporting bar at the reverse side of the plate, then fix locks on the supporting bar, then fix covers.



Normal color is anodized silver. The color painting and size can be made as per customer's idea.



Face Plate of Aluminum Material

Bottom Sterogram

Width of Aluminum Panel: Modular specification.

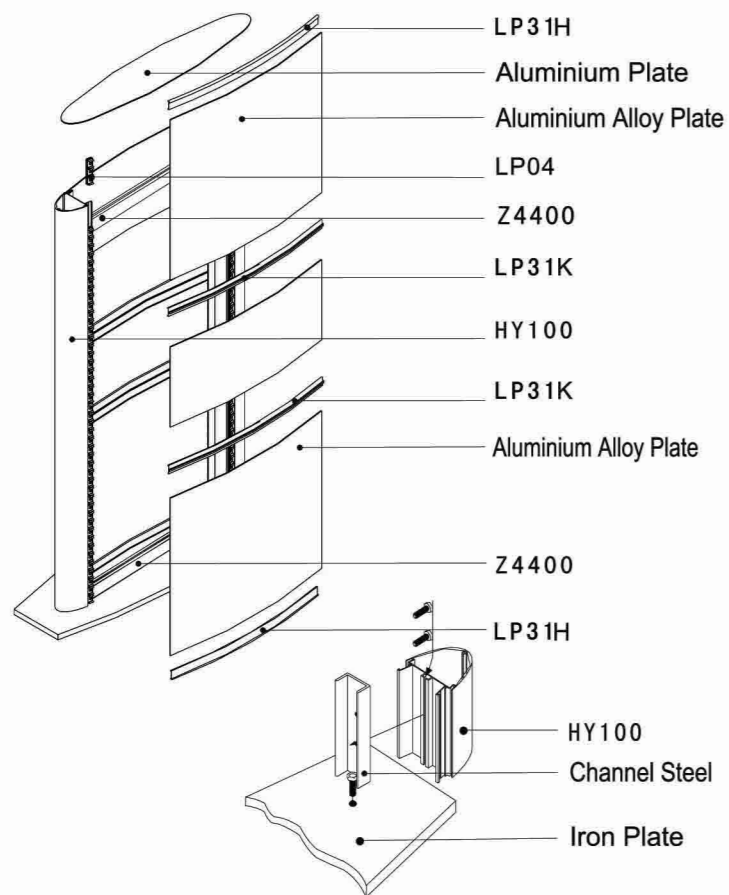
The stand arc brands use high elastic and quality Aluminum alloy panels and curved supporting bars with modulus specification.



The radian of th brand adopts people-friendly visual design. The enamel painting and screen printing create elegant outlook.



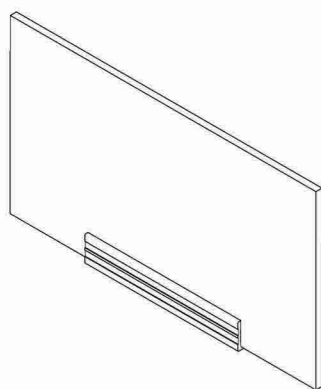
Standing Cambered Brand System



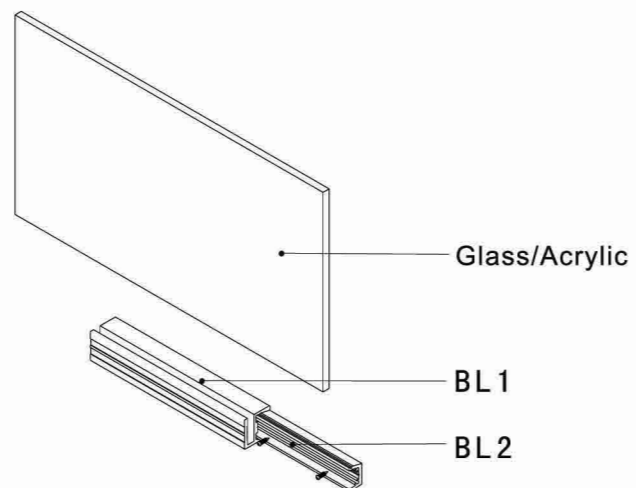
Assembly Instruction:
 1. Assembly of the channel steel and HY100 (refer to the diagram)
 A. Drill the holes in the channel steel and the iron plate.
 B. Insert special bolts into the notch of HY100, fit the channel steel in it, the bottom of the channel steel was level with the bottom of HY100, fit nuts in the bolts, tighten up them.
 C. In order to increase the stability of the brand, use flat Al to join both HY100.
 2. Insert the fixers into the notches of HY100, buckle the face plates on the fixers inlay the Al-plastic plate.
 3. Insert the bolts of the channel steel into the both holes of the iron plate, tighten up the nuts.

Assembly Instruction for HY100

Glass stand System



Firstly, punch holes and fix hexagon screws on BL1
 Secondly, punch holes on the wall so as to fix connector BL2
 Thirdly, insert glass into notch and fix hexagon. At last, insert BL1 into BL2 and fix screws on the below part.



Drawings for Glass stand

Assembly Instruction for Glass stand

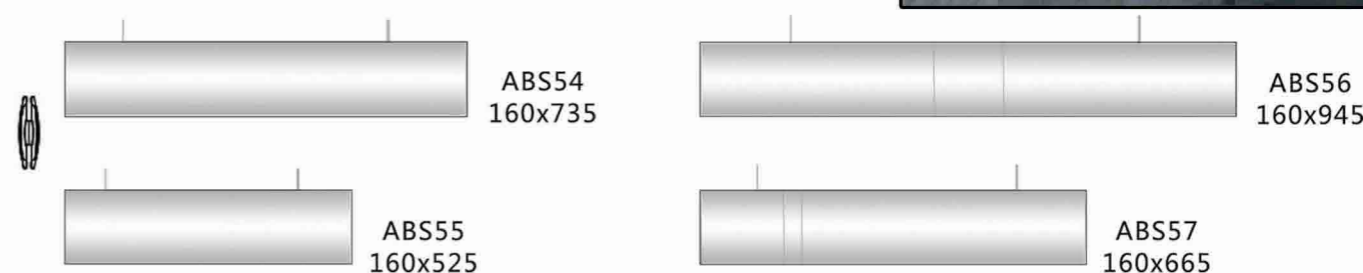
WALL / DOOR MOUNTED

Various Sizes and color

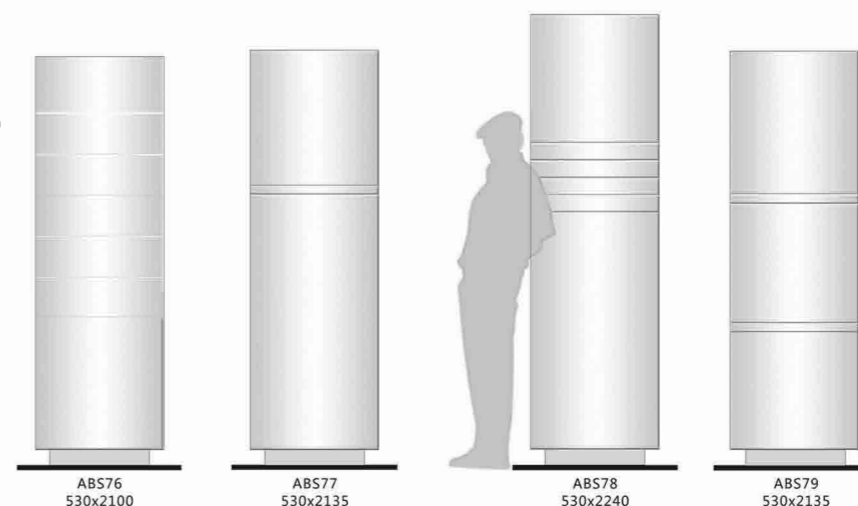


CEILING MOUNTED

Single / Double sided. Various Sizes



Single / Double sided. Various Sizes





CAMBERED BRAND SERIES



CAMBERED BRAND SERIES



Projects with Cambered Brand Series

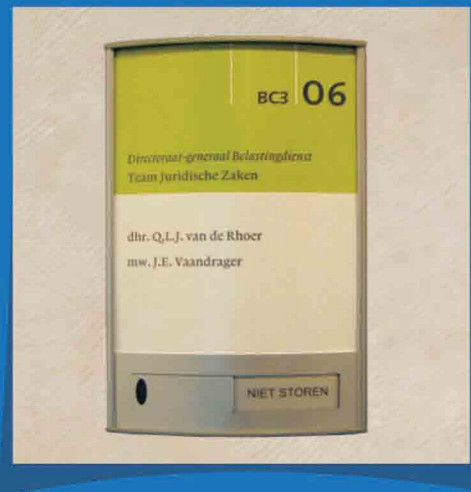


dSign
Designs-Signs-Displays

MODULAR CURVED FRAME TECHNOLOGY:

K-Modular series with the ability to provide highly customizable solutions that meet the unique requirements of each sign project. Modern, contemporary and a clean look.

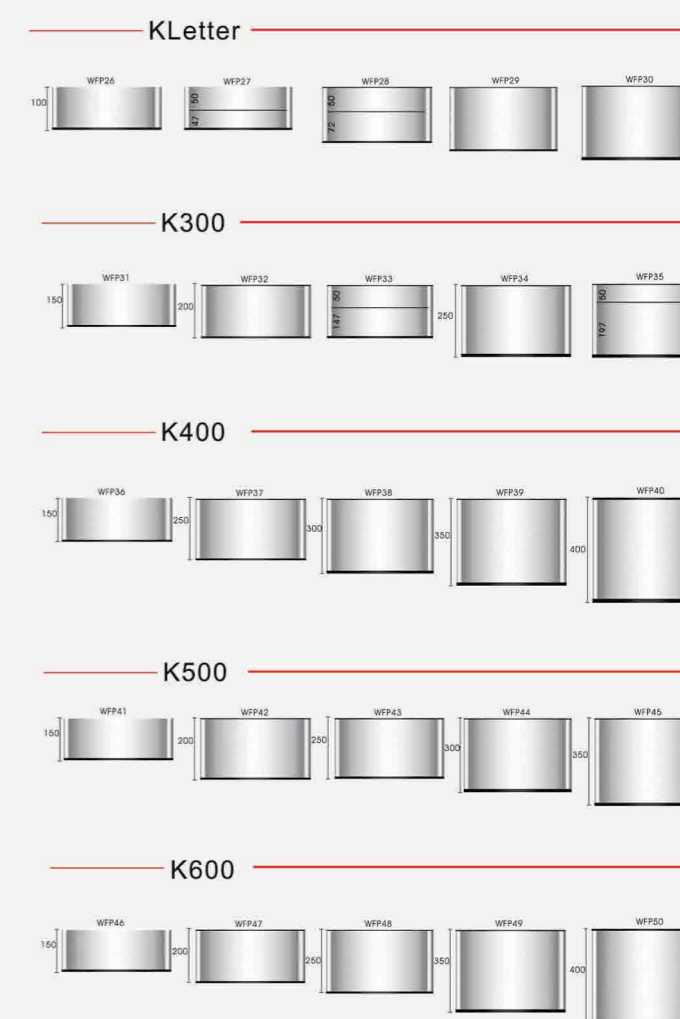
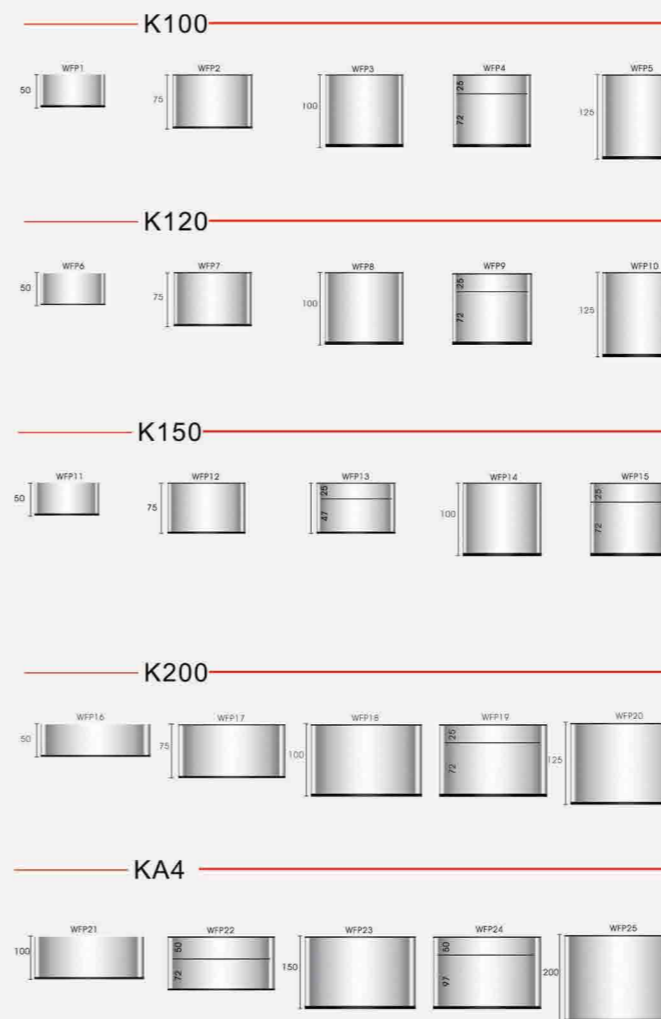
Creat wall-mounted signs with the frames extrusions using any flat,flexible substrate to create a curved-face sign.



Designed to facilitate easy installation or change with just 3 simple steps- remove the protective lens,affix the artwork and mount back the protective lens.



POPULAR SIZES



The wall brackets are designed to accept standard size extrusions which are connected with double sided taps and self drilling screws for added safety. Pre-assembled units are available.



DELUXE STYLE-HORIZONTAL



DELUXE STYLE



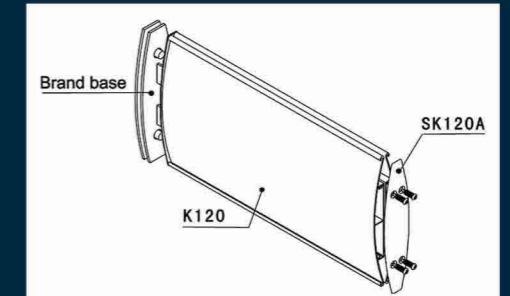
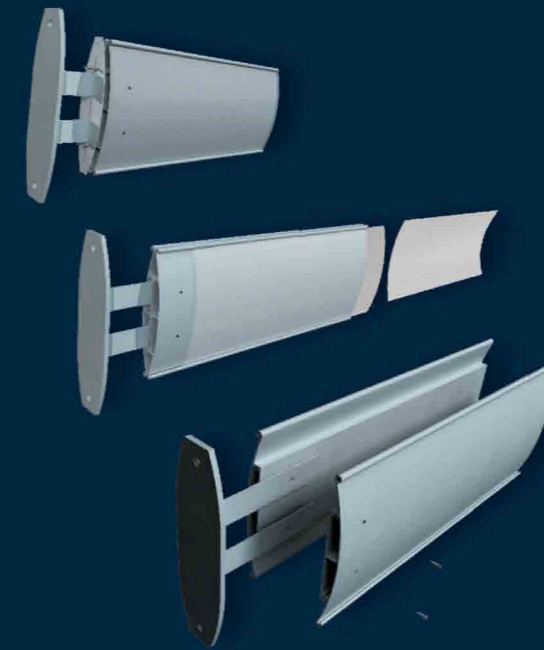
DELUXE STYLE-VERTICAL



STANDARD STYLE

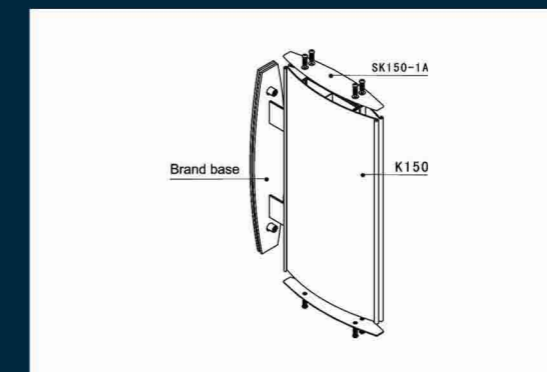
BRACKET TYPE

The simple base style projecting frames are like small pylon signs designed to be mounted flush to the wall. The simple base design can also be used as an overhead sign mounted to the ceiling.

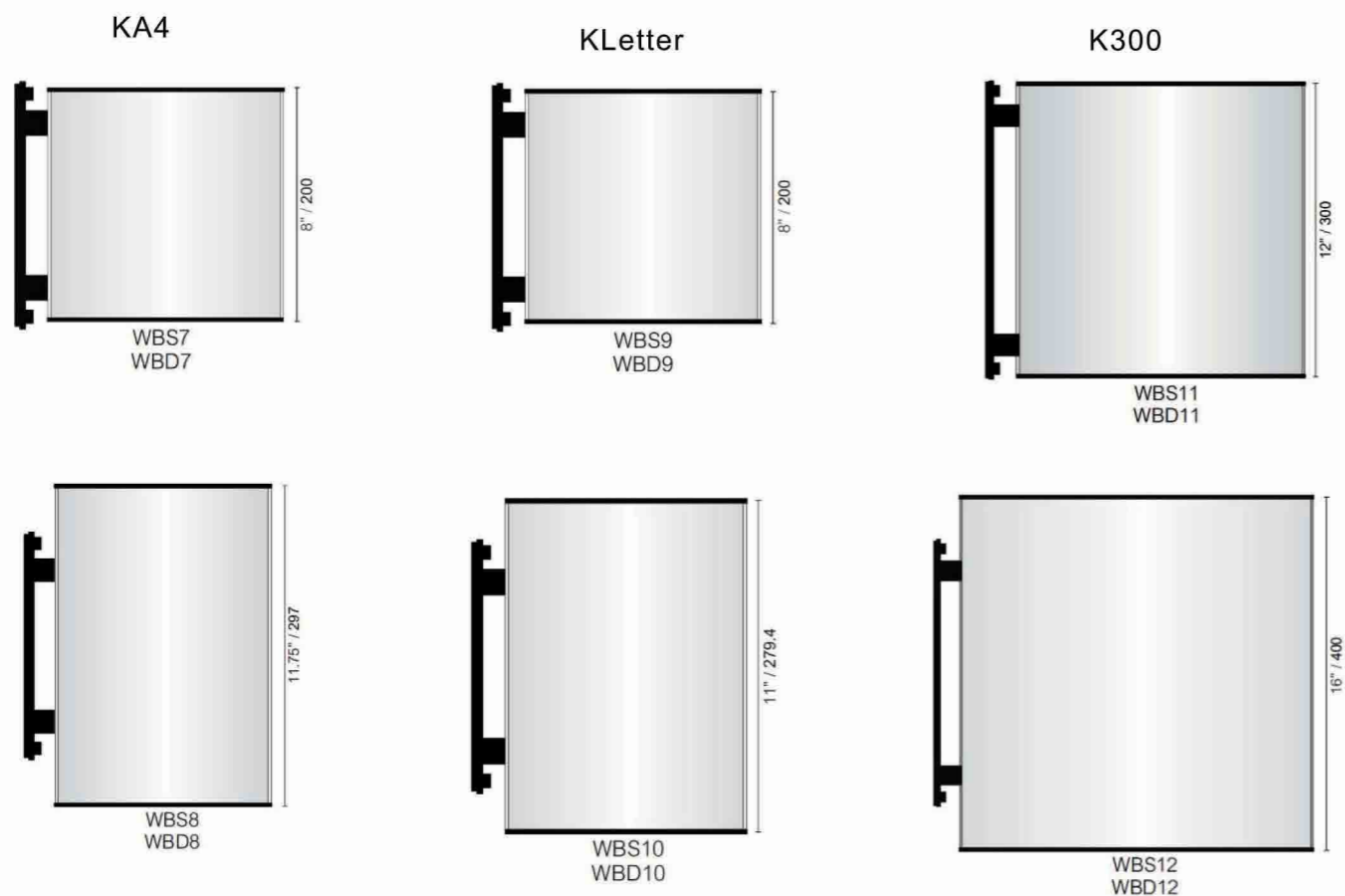


FLAG TYPE

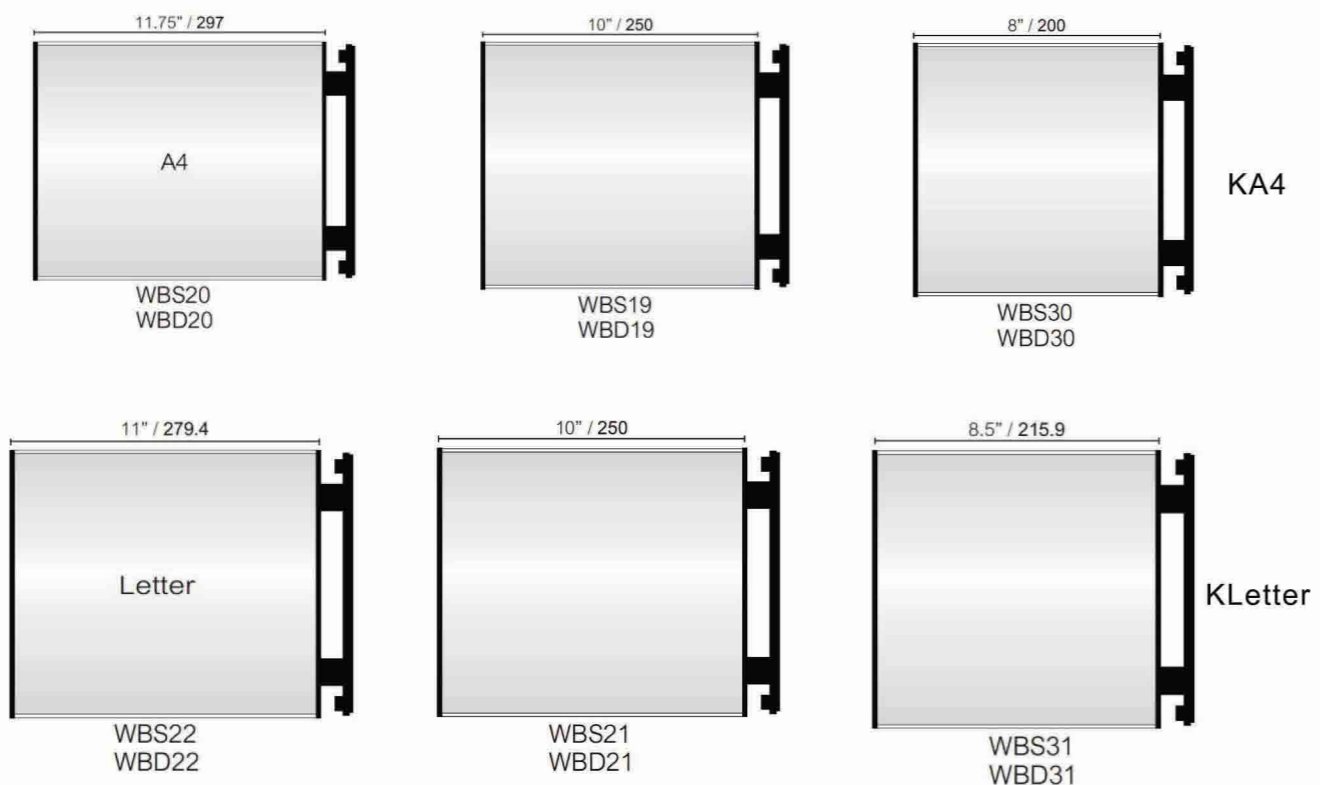
The base is designed to mount on the wall using counter sunk screws. The bracket fits on to the base and secured with decorative nuts.



VERTICAL TYPE - MORE SIZES AVAILABLE



HORIZONTAL TYPE - MORE SIZES AVAILABLE



The sign frame is offered as a complete package: Convex frame, end caps, clear / non glare lenses. Available in several sizes. Easy to assemble. Easy to change artwork. These types are available in 8 different widths.

B TYPE



L TYPE

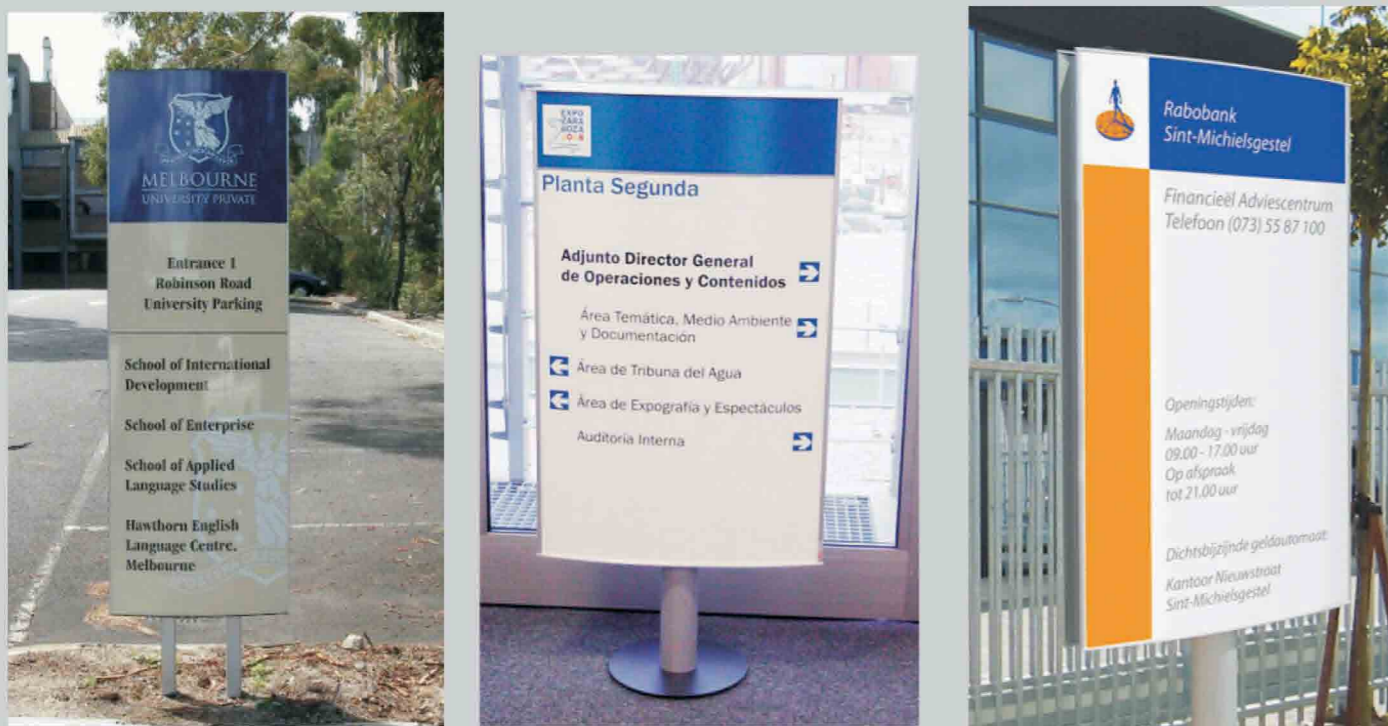


K-System offers a range of bases and end caps that utilize the built in screw bosses allowing all sign holders to be assembled using only a screwdriver. And we provide two design. Wide - Design and Slim Design.

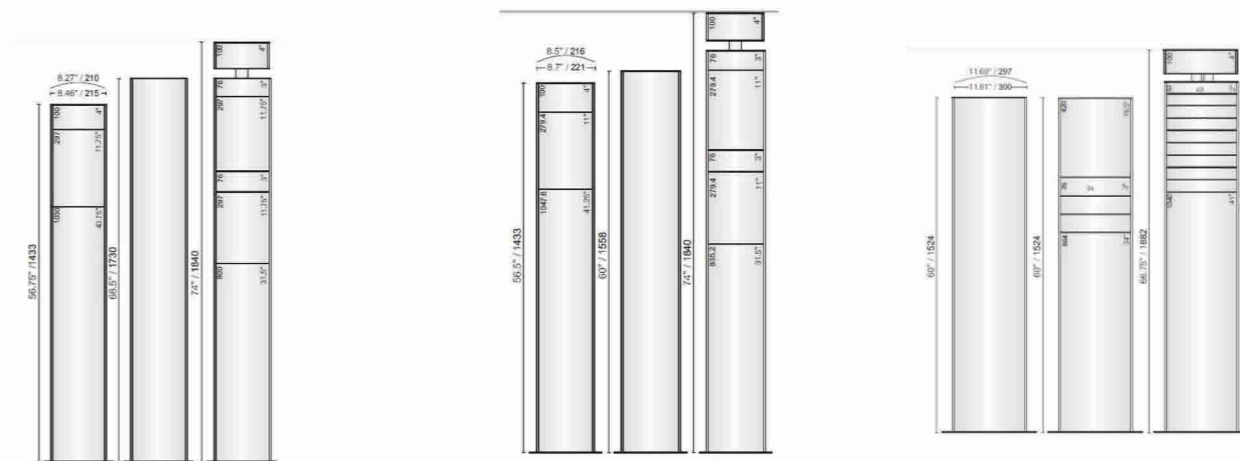


DOUBLE SIDE PYLONS

K-System's post components can be used in combination with the system's wide selection of standard parts.



POST SIGNS

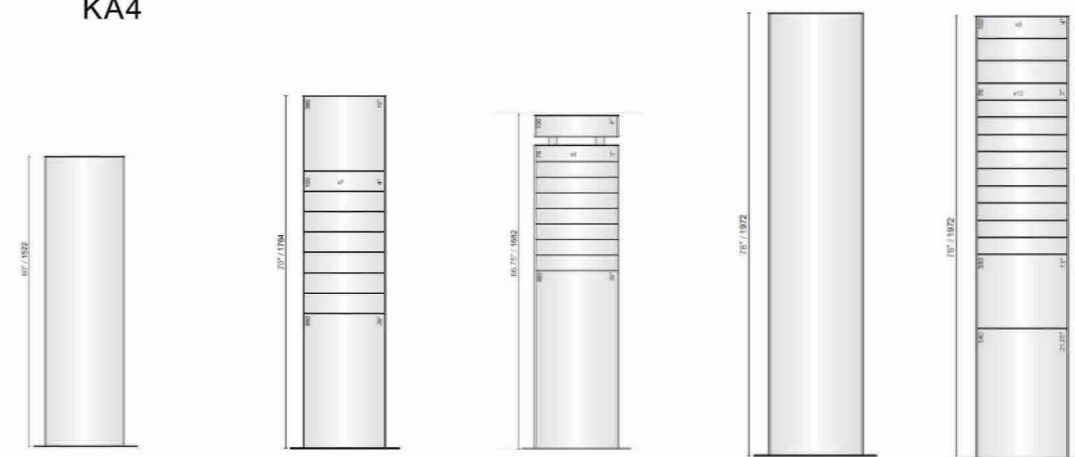


KA4

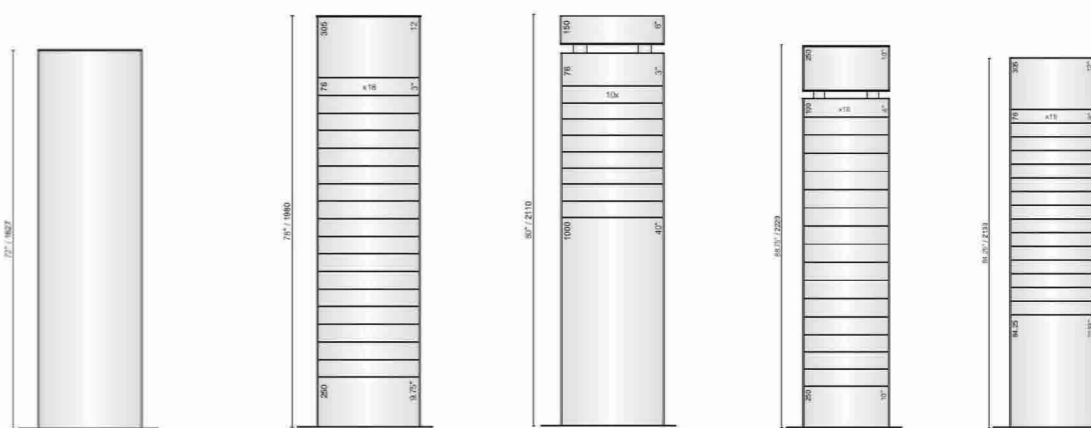
KLetter

K300

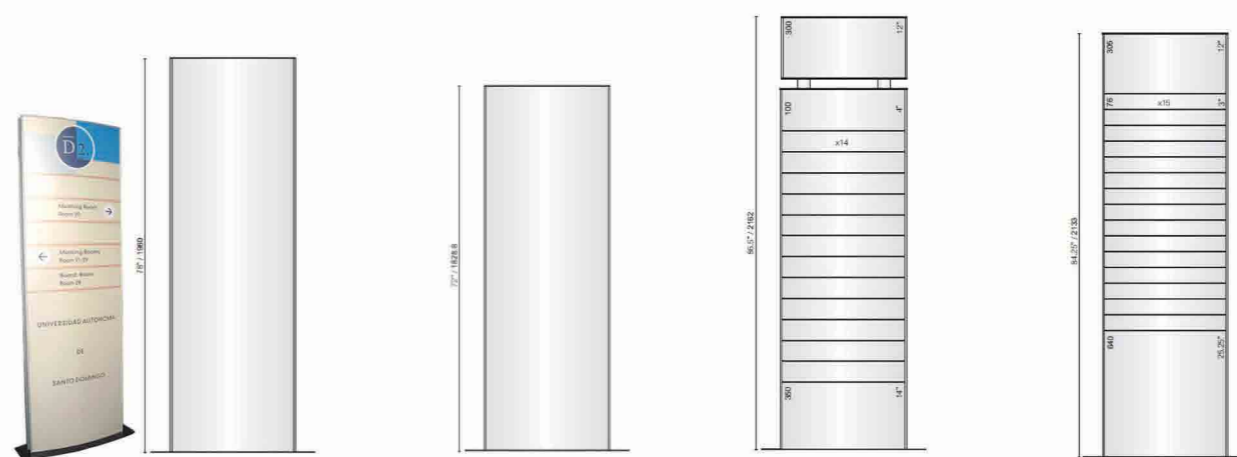
DOUBLE SIDE PYLONS - DIFFERENT SIZES



K400



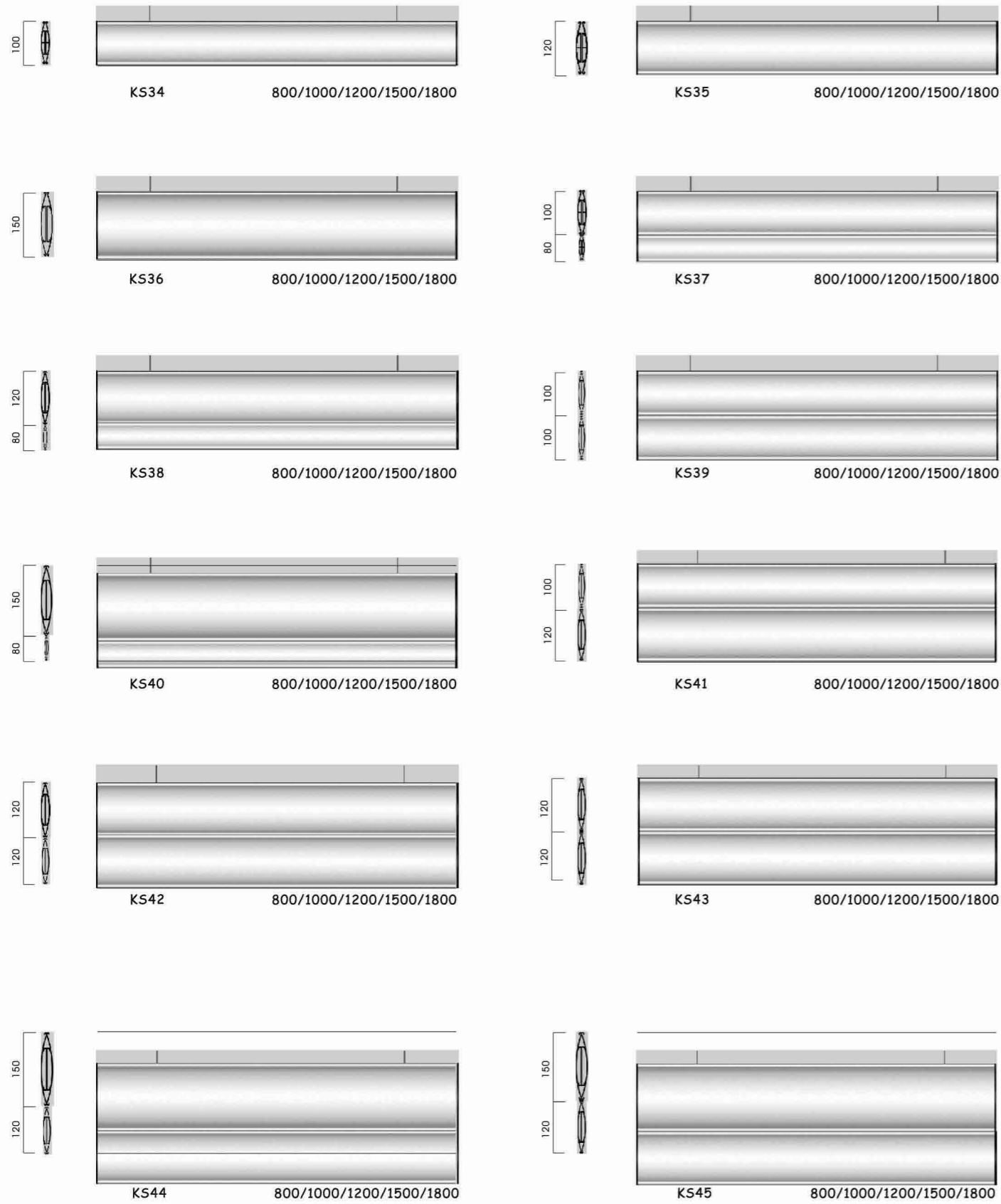
K500



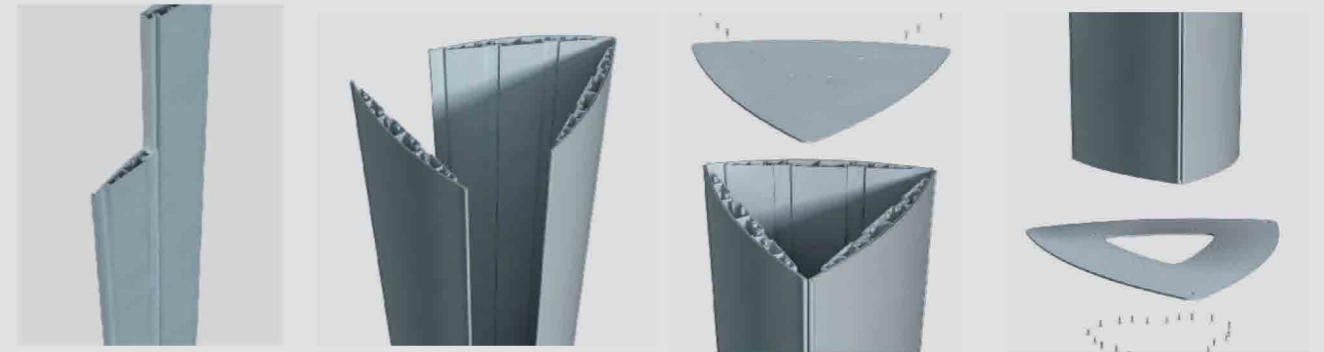
K600

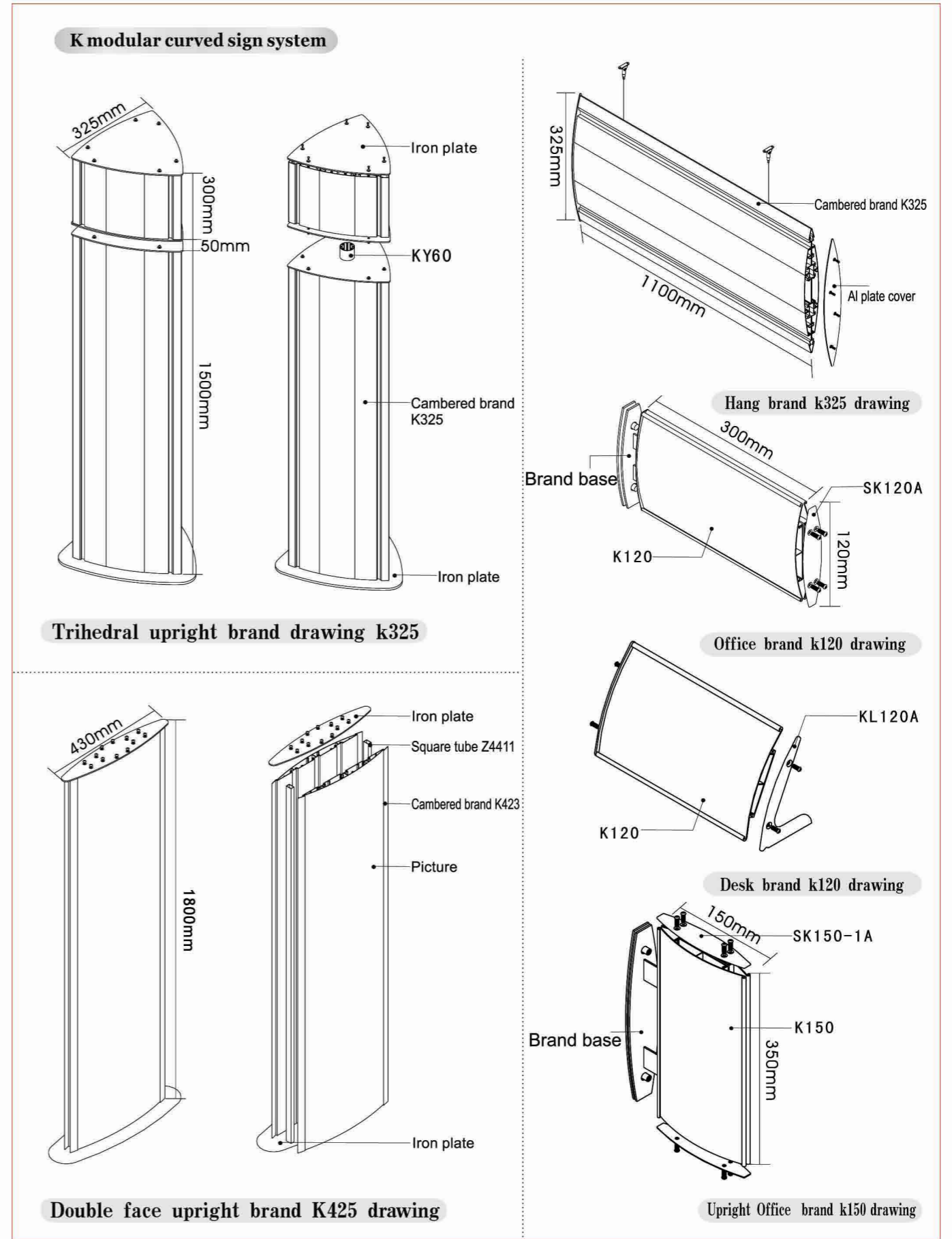
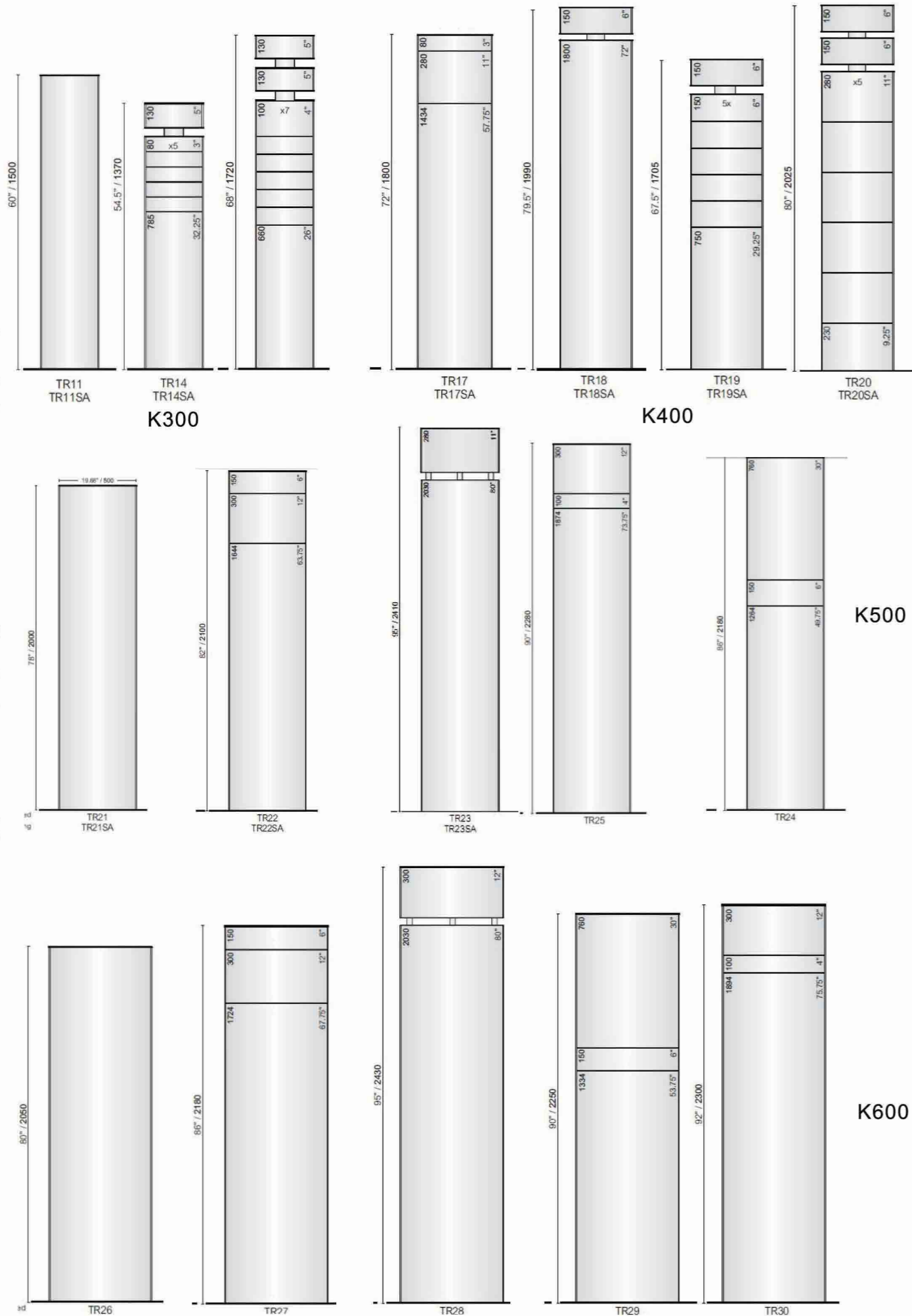
SUSPENDED TYPES

Unit:mm



This cost effective frame system allows for the use of standard signage substrates such as : plastics, metals, and paper. Create your own signage and then flex and pop them in. And to change the graphics just pop them out again with the K - System key suction cup.

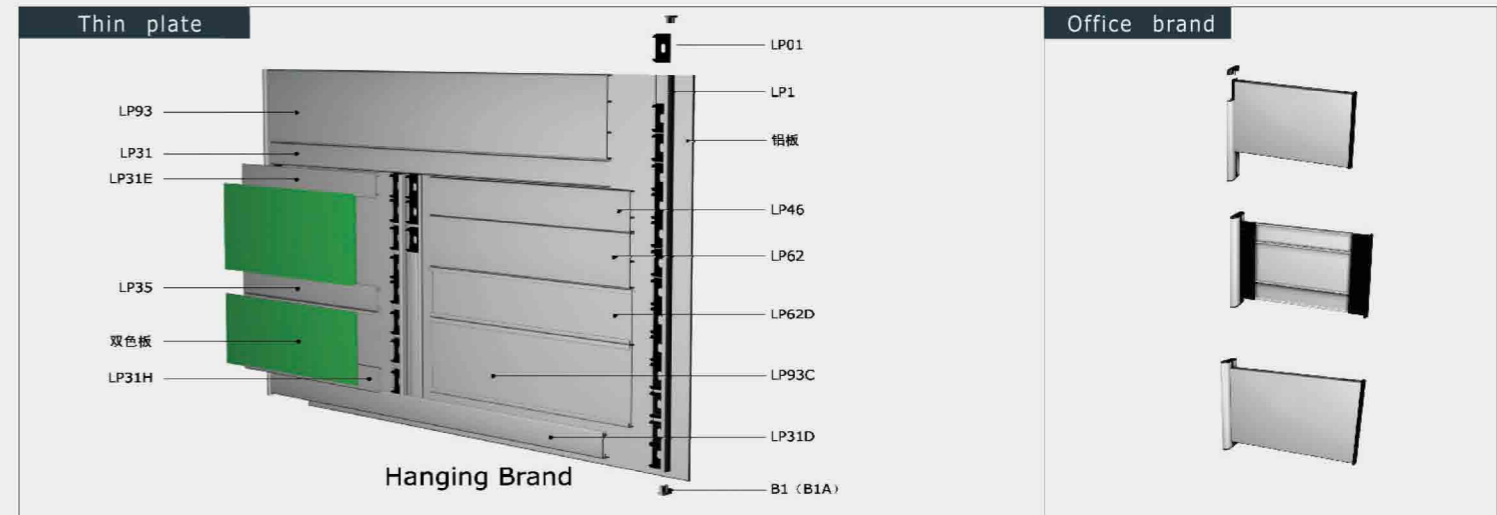




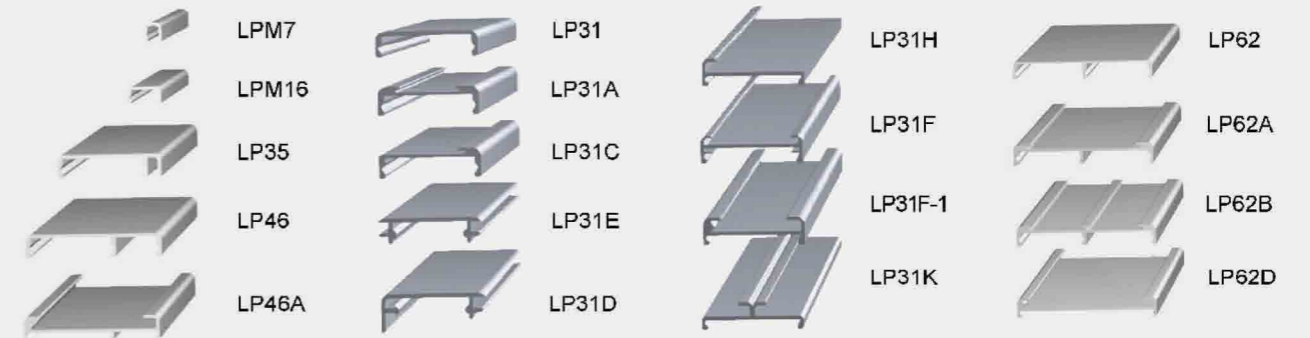
PLANE SIGN SYSTEM IS A VERSATILE ALUMINIUM MOUDULE SYSTEM WHICH CAN BE SUPPLIED AS COMPONETOR AS FINISHED SIGNS.



Series of flat sheet metal brands: diversified choices of materials, simplified structure, appropriate design, easy installation and removal, wide indoor and outdoor application.



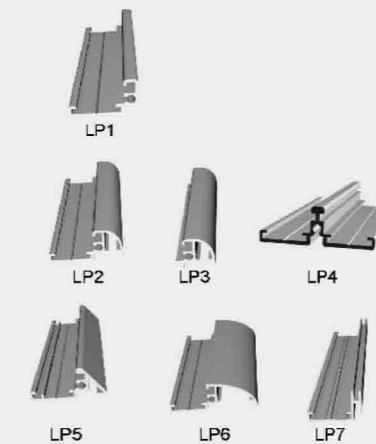
Pattern materials numbers



Frame Caps



Frames



Various caps for profiles



WIRE DRAWING SPECIFICATION



W01

The wire drawing panels are slim and graceful. The side frame and panel are in the same plane. The total thickness is only 8 mm. The Aluminum material is tightly assembled, making this series of brands grand and unknit.. Only 8 mm projecting outside the wall.



W02



W03



W05



W06



W04

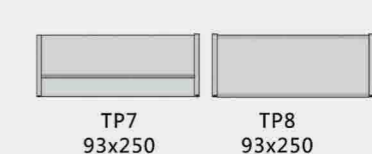


W07

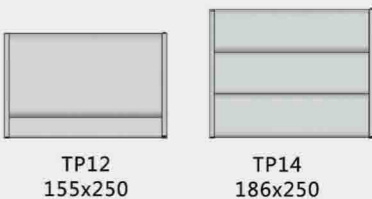
Unit: mm

130

250



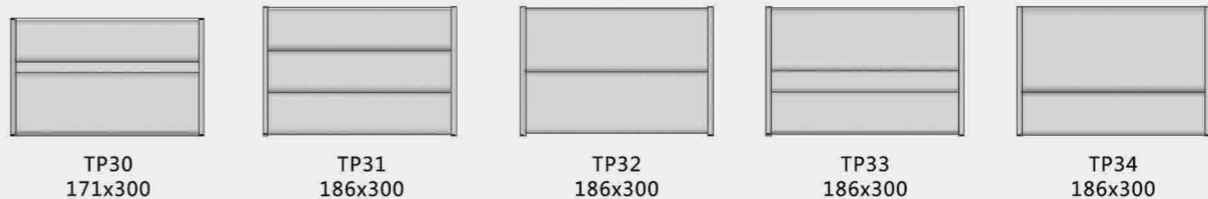
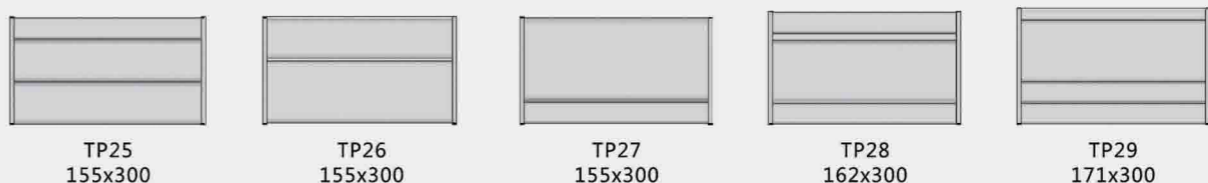
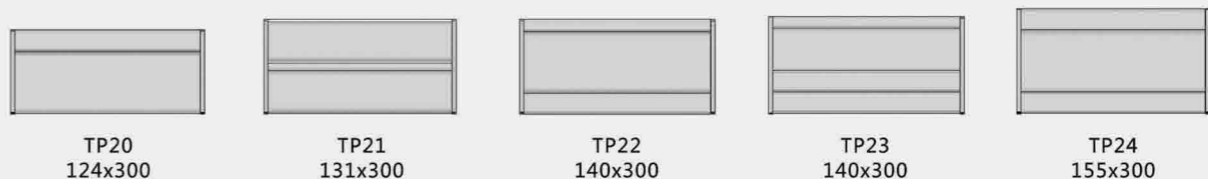
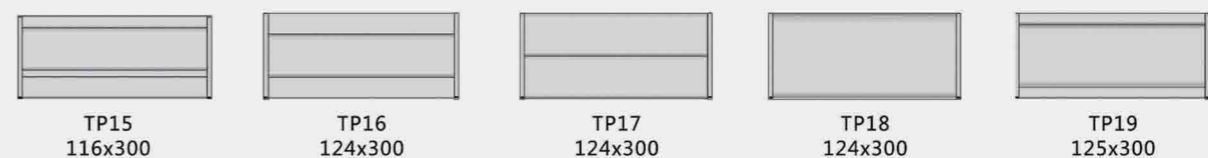
— 124
— 93
— 62
— 31
— 0



— 124
— 93
— 62
— 31
— 0

Unit: mm

300

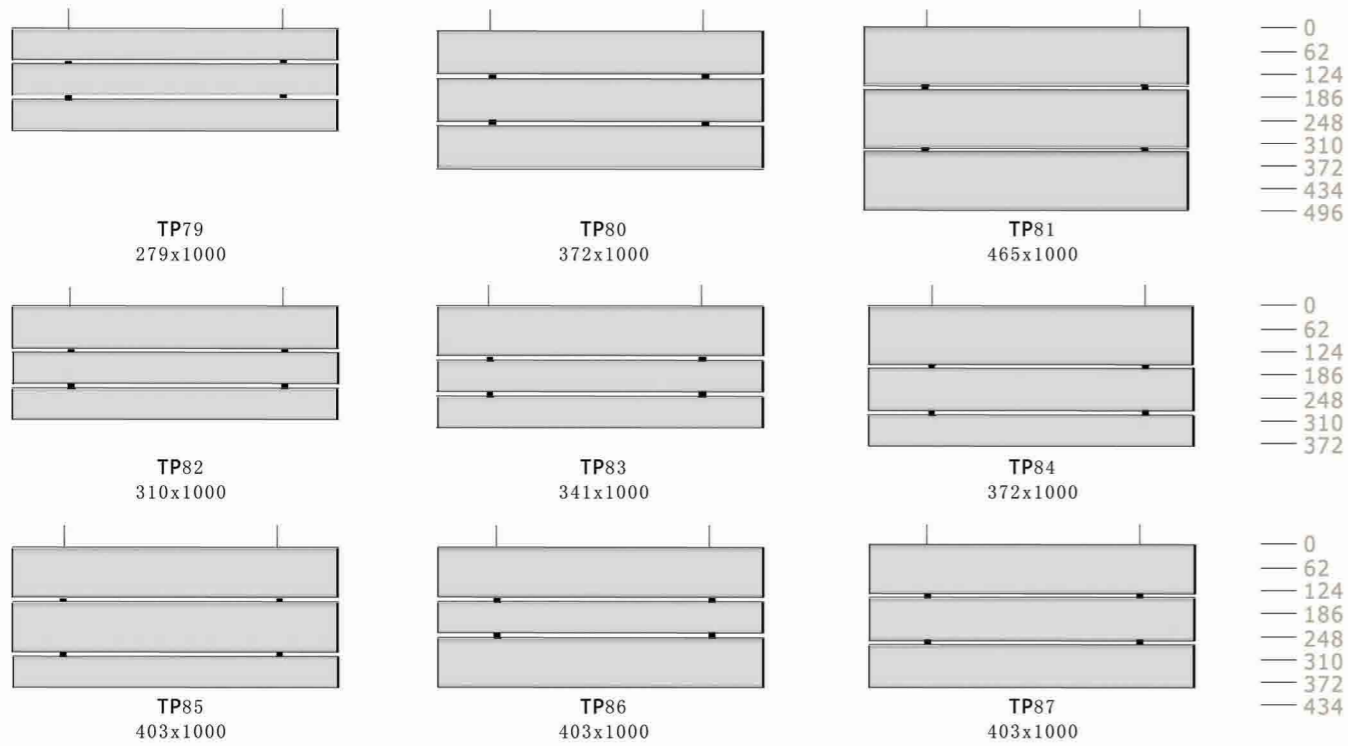
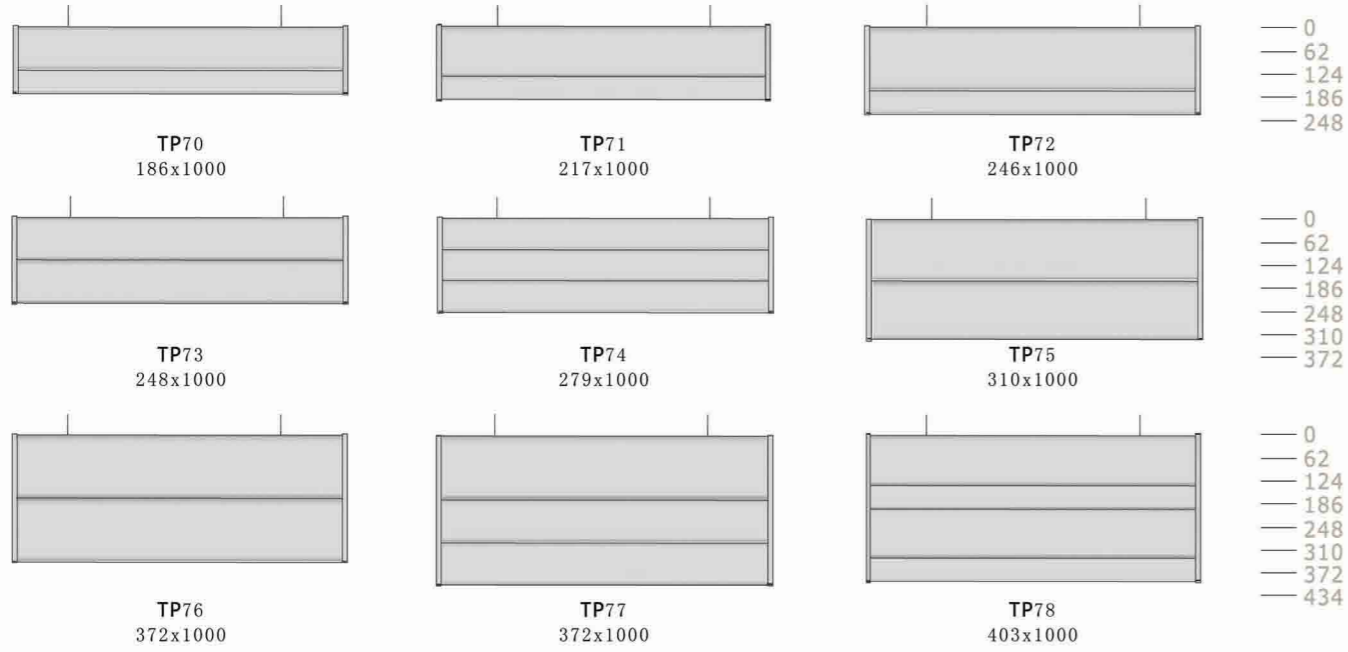


— 124
— 93
— 62
— 31
— 0

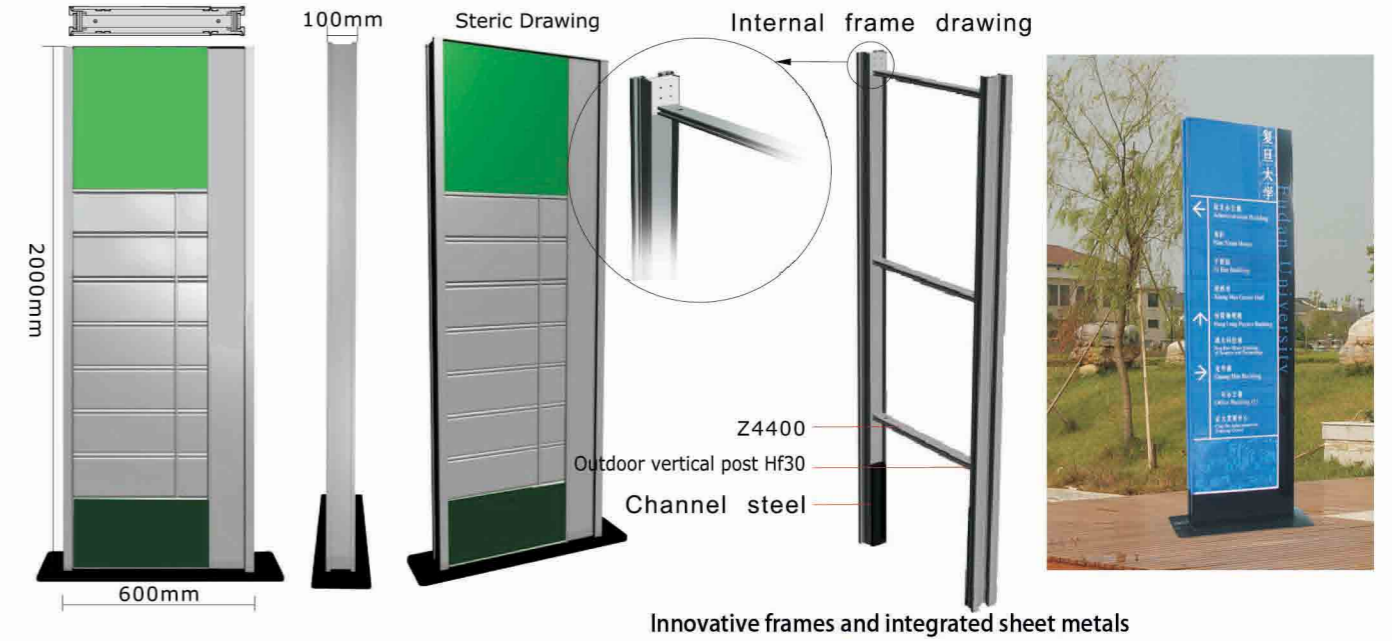
CEILING HUNG

Unit: mm

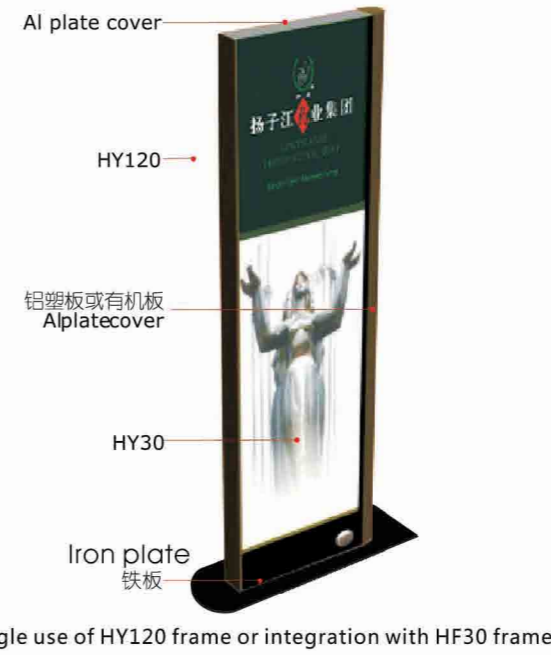
1000



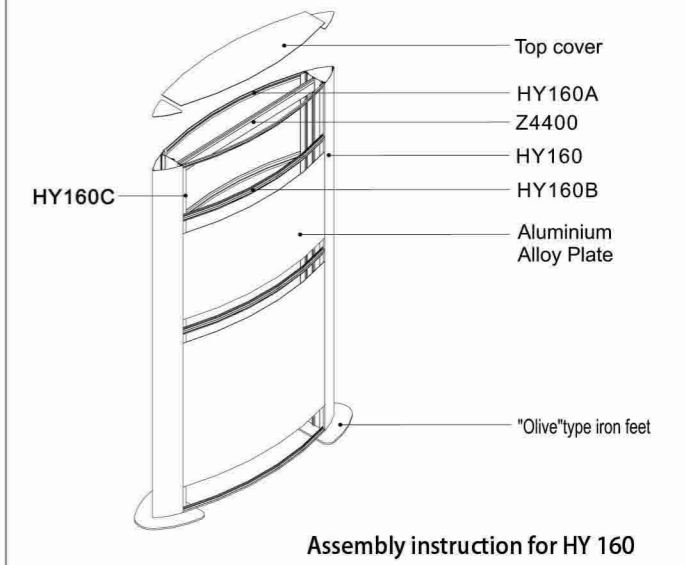
Outdoor index system hf30



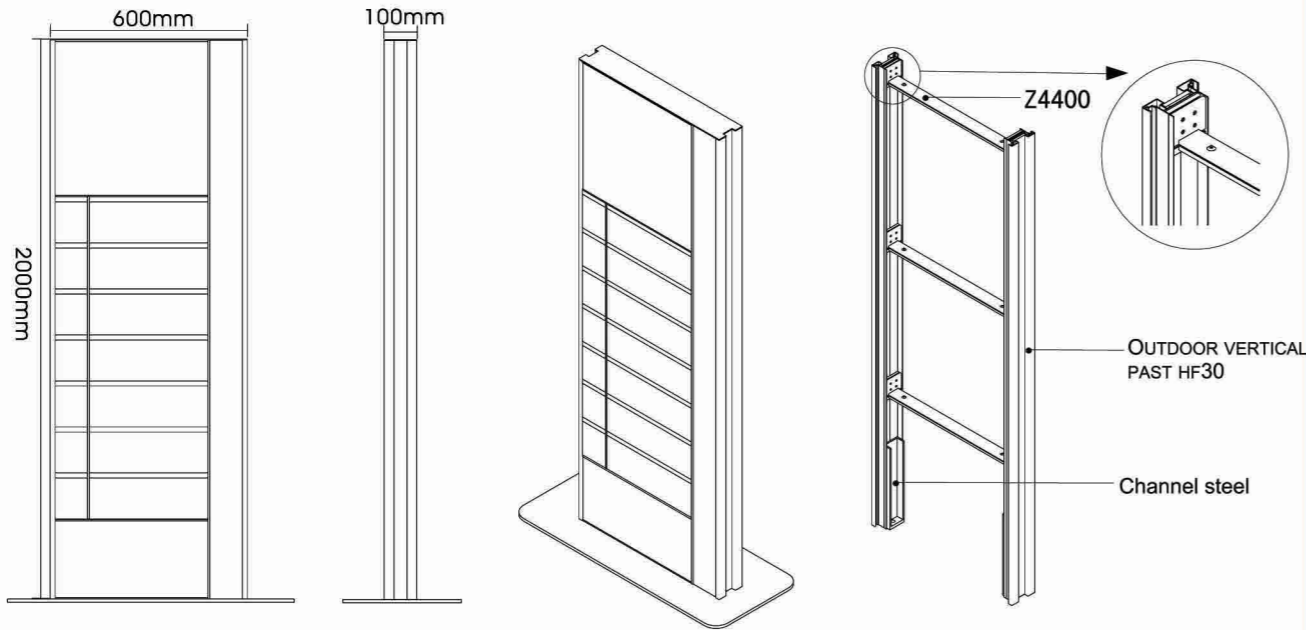
Outdoor index system Hy120



Outdoor index system Hy160



OUTDOOR INDEX SYSTEM HF30

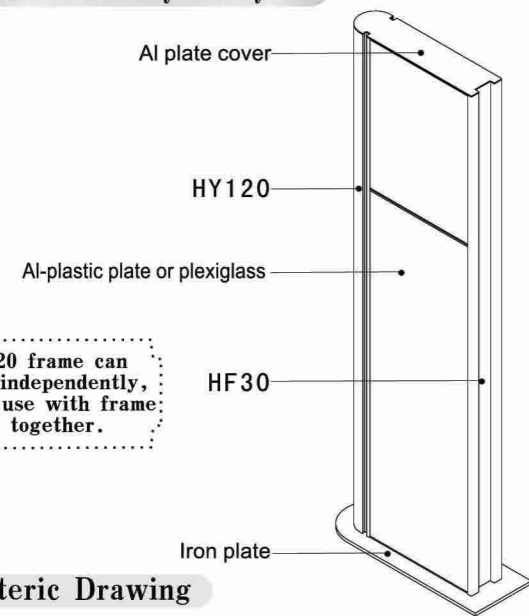


Steric drawing

Internal frame drawing

Profile al frame hf30, thin plate the shape is original.

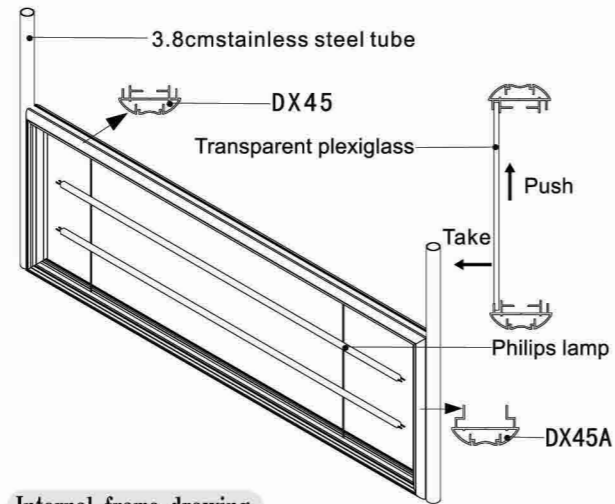
Outdoor index system hy120



Hy120 frame can use independently, and use with frame hf30 together.

Steric Drawing

Lamp box dx45 type



Internal frame drawing

Lamp Box DX45 consists of profile Al Dx45,DX45A,it' s face plate is exchangabl (as the drawing)



WIDE INDOOR AND OUTDOOR APPLICATION.
ENVIRONMENTAL - FRIENDLY DESIGN.
EASY INSTALLATION.

UPRIGHT PYLON SERIES



TABLE OF CONTENTS

- CAMBERED SERIES
- K SYSTEM SERIES 8
- PLANE SIGN SERIES 22
- UPRIGHT PYLON 30
- LIGHTBOX SERIES 40
- CLIP FRAME SERIES 45
- A T M SERIES

31 UPRIGHT PYLON SERIES



This series of products are carefully designed for Outdoor brand. It is simple, fashionable and stylish. The product has a firm steelwork structure inside.

Hy160 Stereo Picture	Top View	HY160A
	Top Cover	HY160B
	Hy160 Assembly Drawing	HY160C
	Olive-shaped lion Plays	

UPRIGHT PYLON SERIES



X106 Indicator Brand	X106 Asembly Drawing	
	<p>Channel steel on the bottom are planted into concrete ground for wind-resistance and fixedness.</p> <p>Bottom feet</p>	

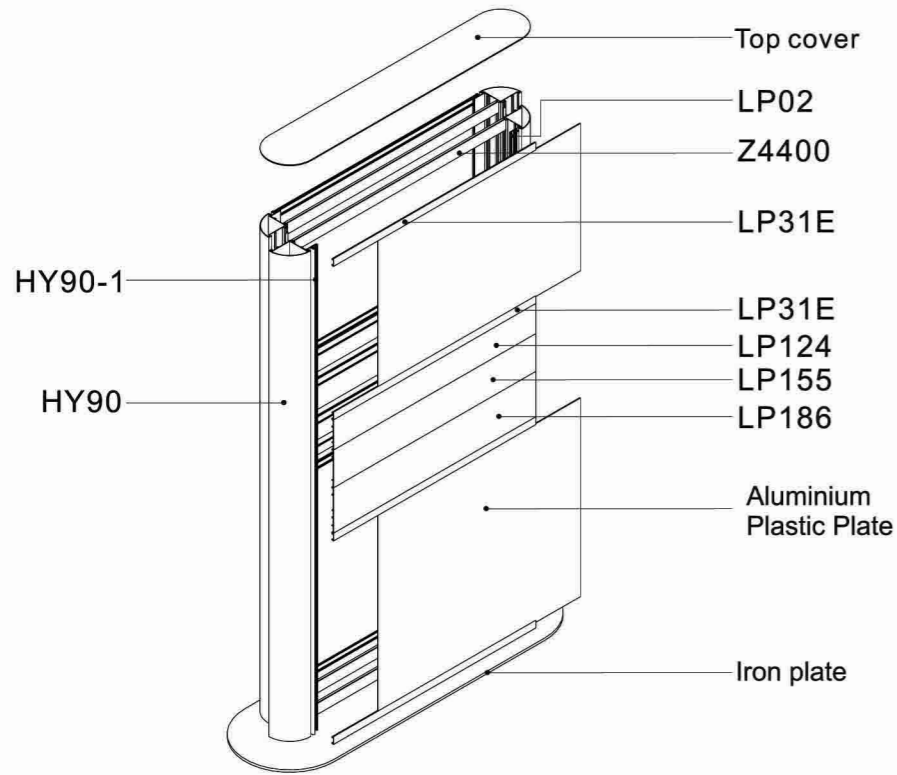
X106 Asembly Drawing	X101	X106A	X106	X104-1
	<p>Join X101, X104-1 and X105-1. Flag rate plastic brand at the same time and insert X102 into the notch of X104-1. Then, assemble the turn angle X105A to the frame, tighten it by screws and assemble X106, X108 and channel beam. Insert X103 (notice the directions of the two X103 in the map) and the outside frame in turn. Cover X106A, tighten the screws, specific installation can be referred to the map.</p>			

UPRIGHT PYLON SERIES



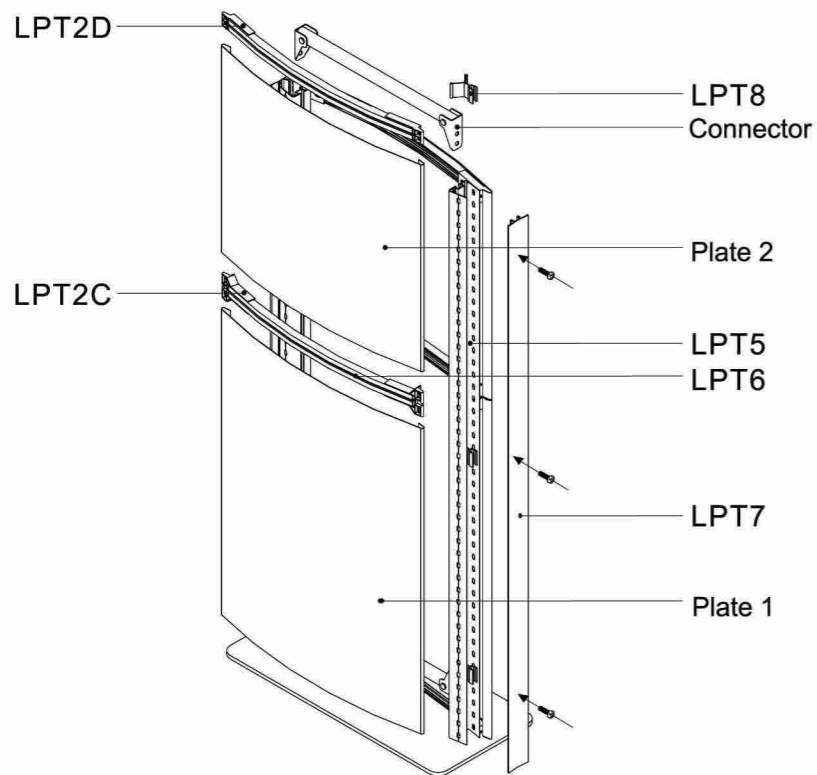
Hy90	Assembly Sterogram	
	<p>Section Drawing</p>	<p>This series of products is composed of 1/4 circular columns. Thickness of these columns can be increased and it has a delicate structure. Its unique characteristic of capability for stitching and wide ning makes it more charming and popular with its customers. If needed, this product can also adopt lighting inside so as to function as a Hou-day identification guide.</p>
Bottom Sterogram	Assembly Sterogram	
Special Bolt		

Standing Brand System



Assembly Instruction:
 1. Apply I-Shaped Aluminium pattern materials to join both HY90 and form the half-round cylinder column, then use the flat-Al to join the both half-round cylinder column, in order to form the frame.
 2. Insert the fixers into the notches of HY90-1, buckle the face plates on the fixers, inlaying the Al-plastic plate.
 3. Fit the top cover on the top of the brand.
 4. Fit the iron plate on the bottom of the brand.

Assembly Instruction for HY90



Assembly instruction
 1. join LPT5 to form the frame
 2. assemble LPT2D and supporting bars
 3. assemble face plates
 4. writing the bolts
 5. insert LPT8 and LPT7

Assembly Instruction for standing cambered brand



INDOOR

UPRIGHT PYLON SERIES



Do painting & screen printing on 5mm acrylic sheet

High-quality painting

Do texting

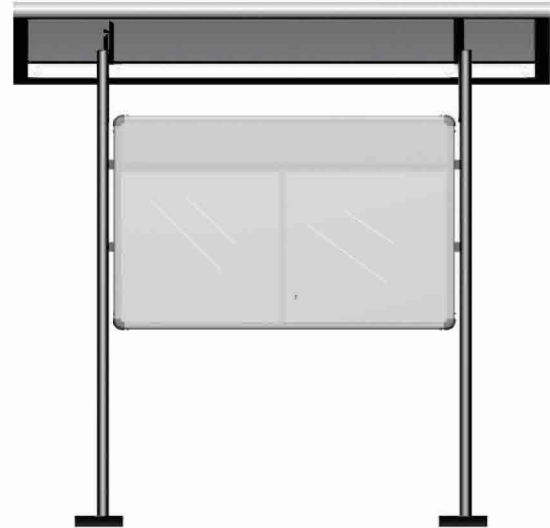
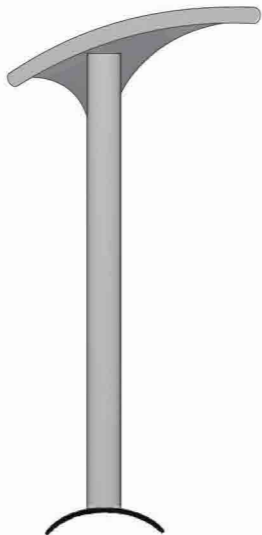

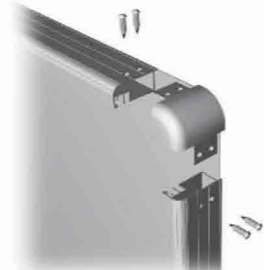

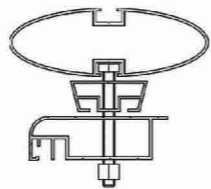
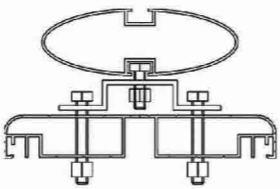

Aluminium profile

Aluminium profile

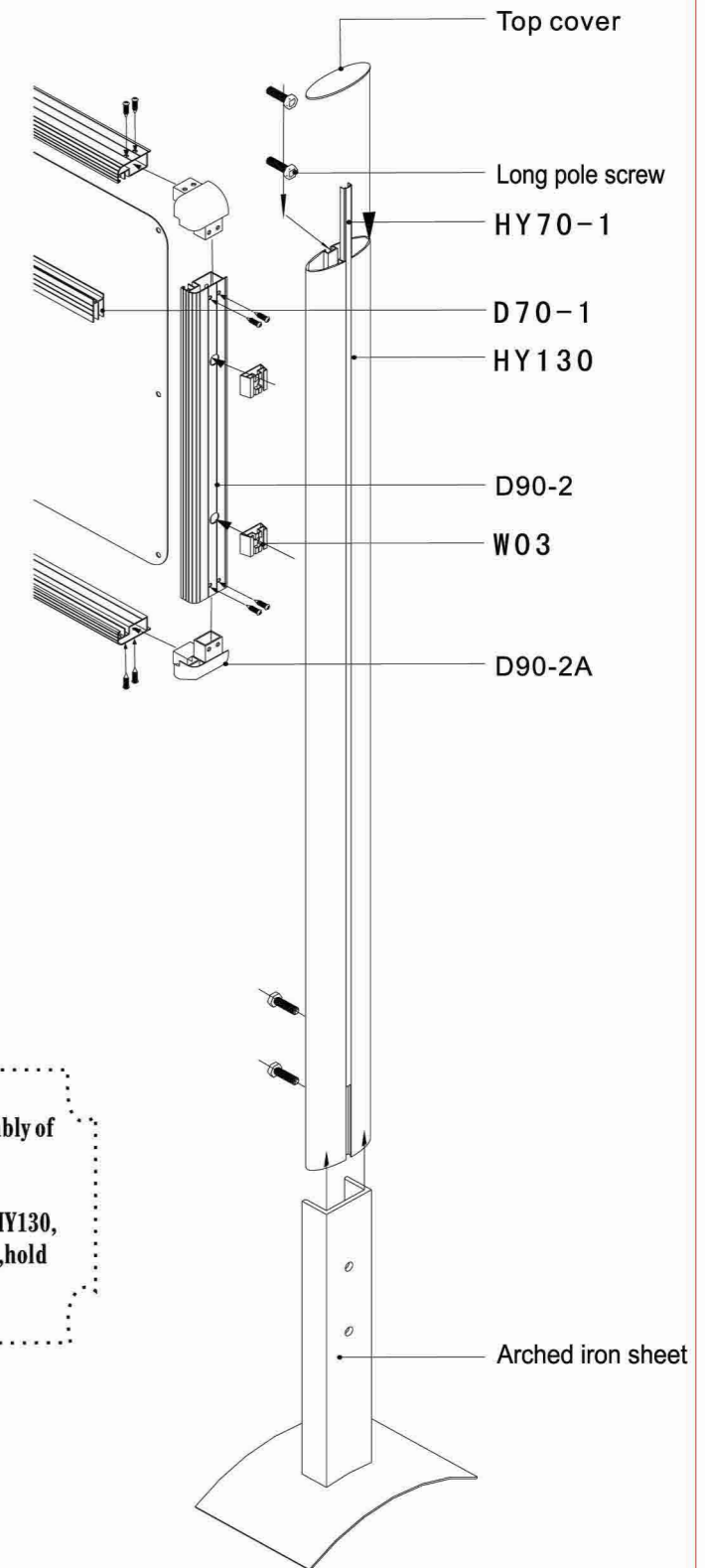
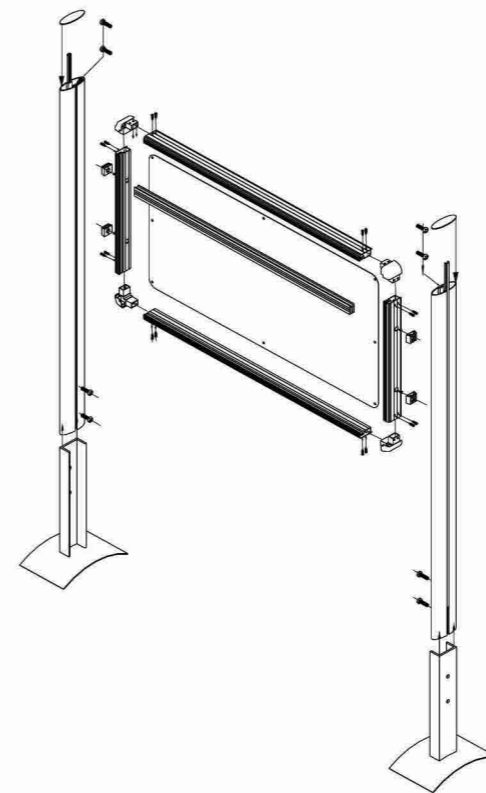
With white acrylic which can be transmit light panel inside



PUBLICITY COLUMN

All-in-one propagation Rail	Section Drawing	Bottom Feet
		 <p data-bbox="1092 772 1222 814">Corner</p> 
Siamese-twins Propagation Rail	Section Drawing	
	 <p data-bbox="1092 1394 1368 1436">Stereo Picture</p> 	Canopy Support
<p data-bbox="94 1682 510 1724">Assembly Instruction:</p> <p data-bbox="154 1745 842 1997">The propaganda column uses material of different standards, square column and round column, 7 cm and 8 cm. Besides, there are oval columns as well, specified in 130*45mm. The rain shelter bracket has two patterns: unilateral support and bilateral support; the propaganda modality can be made in different patterns such as single union, double union and multi-union, to satisfy requirements in different locations.</p>		

Brief Caption of Upright Propagation Rail



Assembly instruction:

- 1.the frame assembly of propagation rail refer to assembly of propagation rail D70
- 2.Join the frame to flat tube HY130 by long pole bolts.
- 3.Insert the long pole bolts into the notch of flat tube HY130, then insert them into the holes of the propagation rail,hold the nuts.
- 4.Fit the cover on the top of HY130.

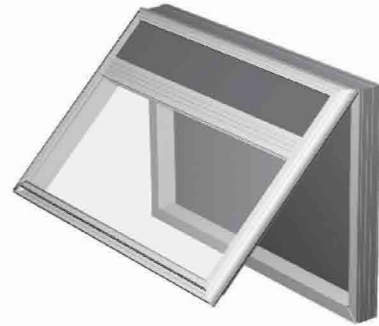


PUBLICITY COLUMN

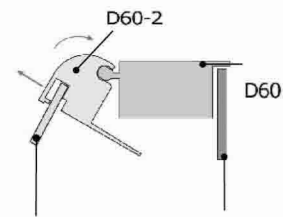
Easily Opened Model Double-sided Standard Propagation Rail



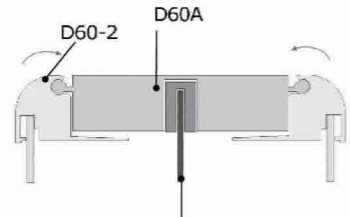
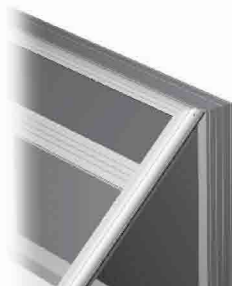
Easily Opened Model Single-sided Hanging Propagation Rail



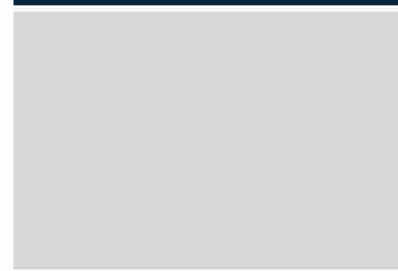
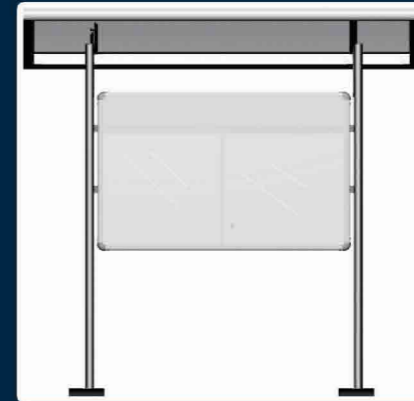
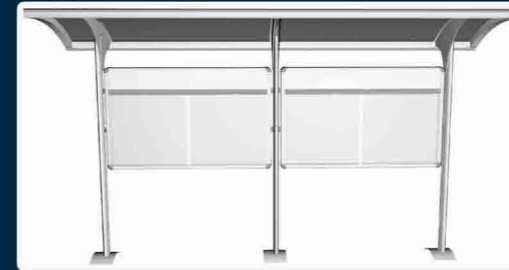
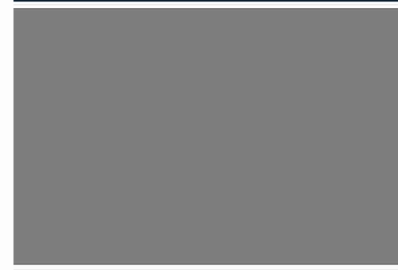
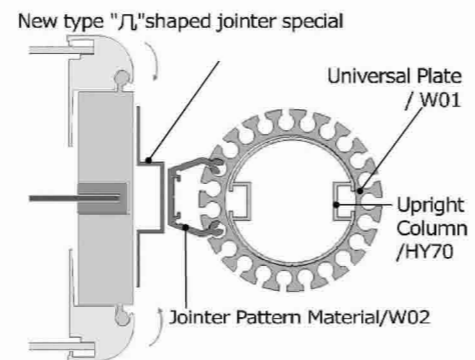
The liftable propaganda column breaks through the traditional glass shift gate design. If the surface frame can be lifted to a certain angle, materials can be taken out from the ramp above. This propaganda column can be produced into single-sided or double-sided and installed stick to the wall. It can also be made into the floor type.



Transparent Organic Glass Panel

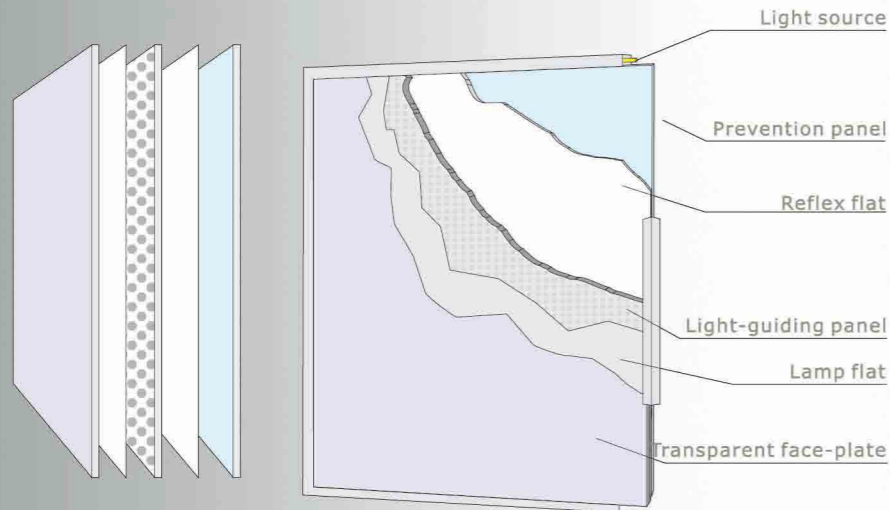


Aluminium Composite Panel



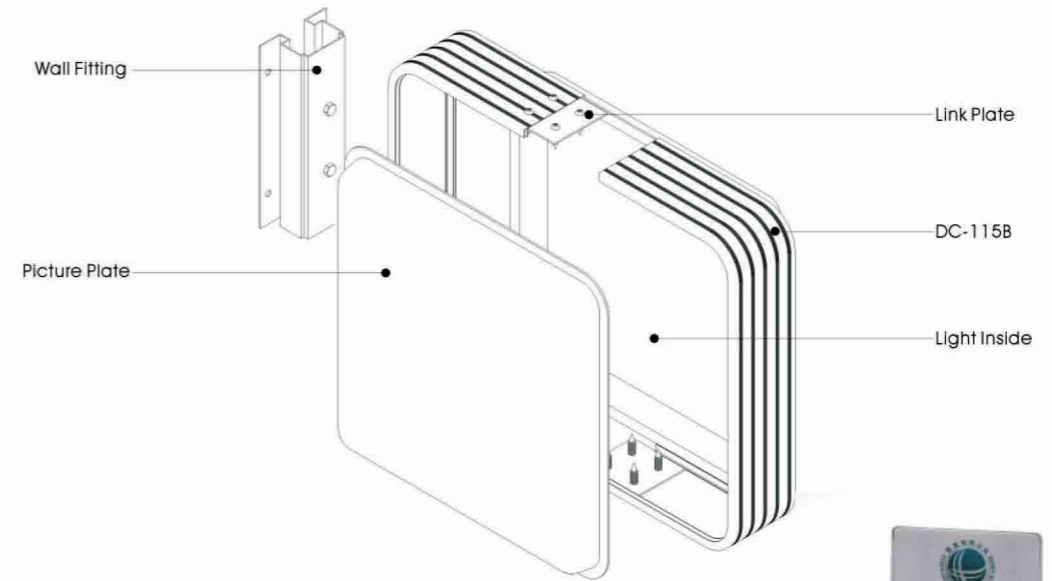
LIGHTBOX SERIES

GUIDING LIGHTBOX



41

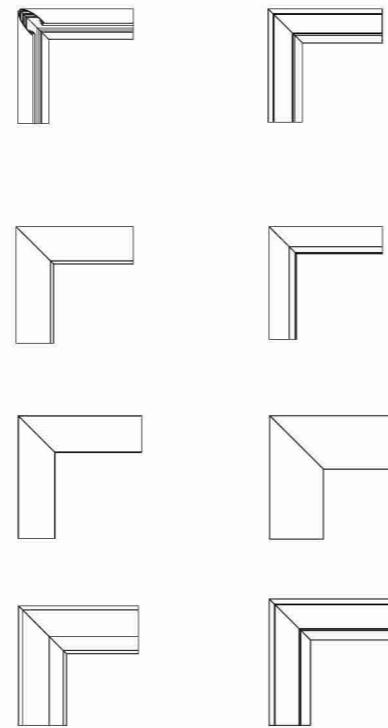
The side frame adopts best quality Aluminium. It is light, convenient, and tough, both wear proof and time proof. The bollard tablets are produced from Authentic Acrylic forming, with strong translucence, bright and saturated color and great impact strength. The pictures are printed by silk screen, in imported ink, which makes the pictures much more colorful, durable and slap-up. The light source is tricolor fluorescent lamp with high quality, making the picture color highly reducible & easy for maintenance.



A:support of lamp Box
B:screen printed and embossed acrylic



CLIP FRAME TYPE

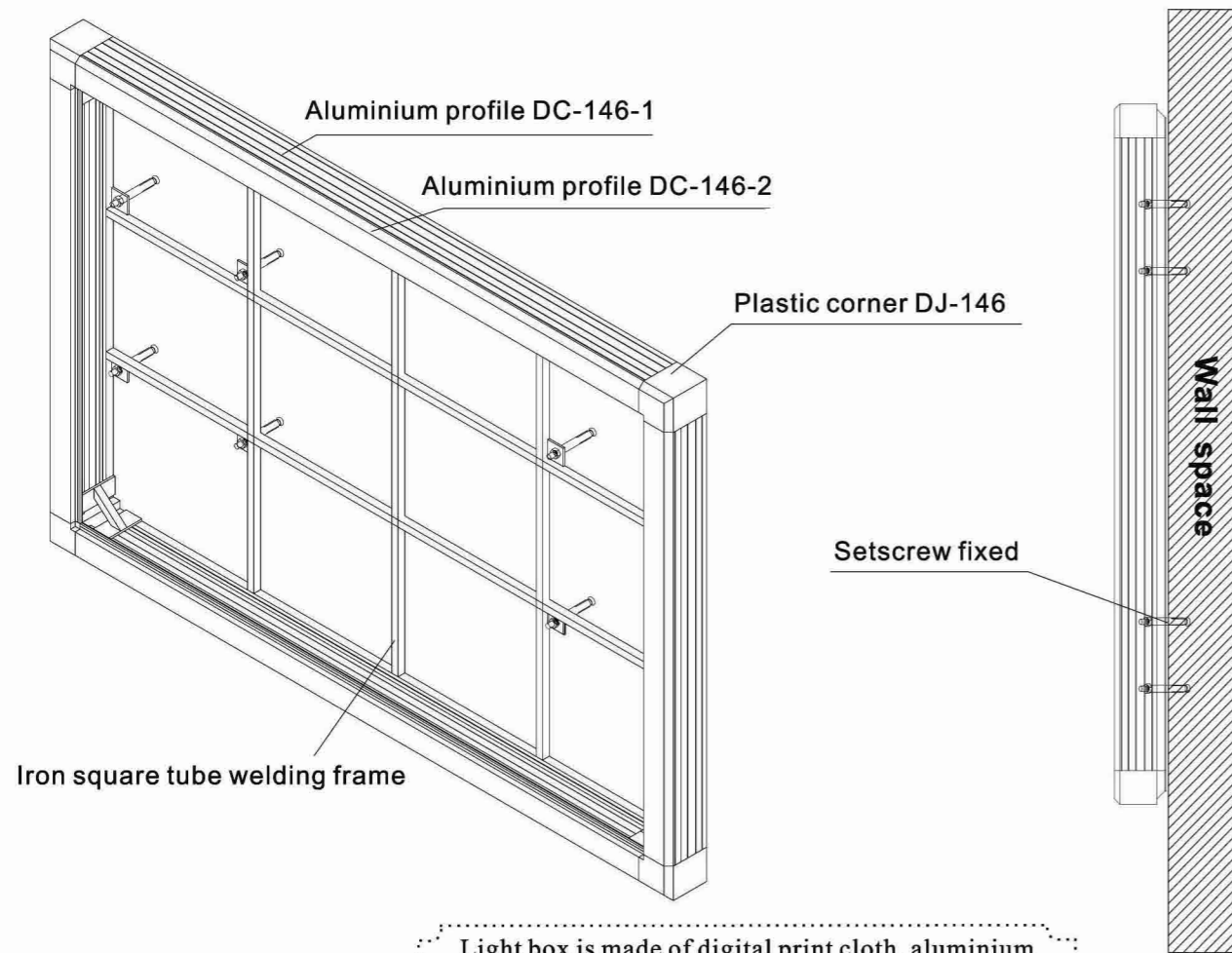


We adopt high quality profile to make various kinds of light boxes for Indoor. and water proof type for Outdoor usage. Painting and screen printing as per customers' design

BOLLARD SERIES

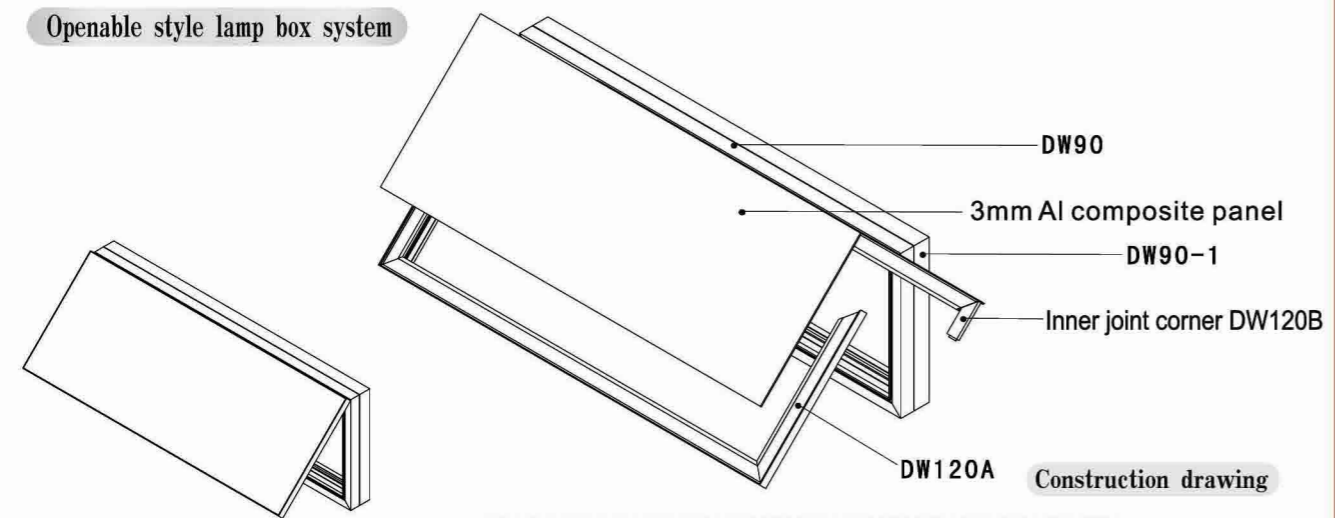


Fabric cloth lightbox system DC-146



Light box is made of digital print cloth, aluminium composite back panel, and light tube in the frame.

Openable style lamp box system



Lamp box system; single face lamp box Dw80, double facelamp box DW90, DW120.

Outdoor(waterproof)



Installation



A: corners for single-sided lamp Box90
B: back panel
C: frames for single-sided lamp Box90
D: rivet connecting

Assembly & Structure



Restaurant light box



Oil station



Installation Diagram for Open-type Light Box





dSign
Designs-Signs-Displays

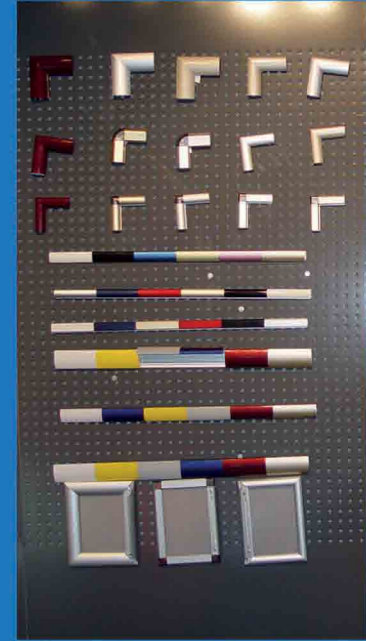
LIGHTBOX
SERIES



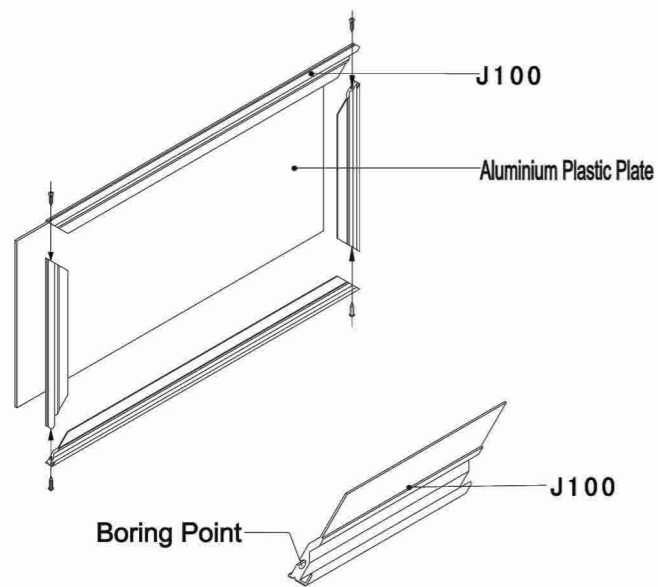
CLIP FRAME SERIES

Snap frame series can protect poster, which allows fast and easy presentation of all your posters.

The frames are Alluminium anti corrosion and durable. The backboard is always use PP sheet or Aluminium panel, the front panel is transparent PVC or mat PVC sheet.

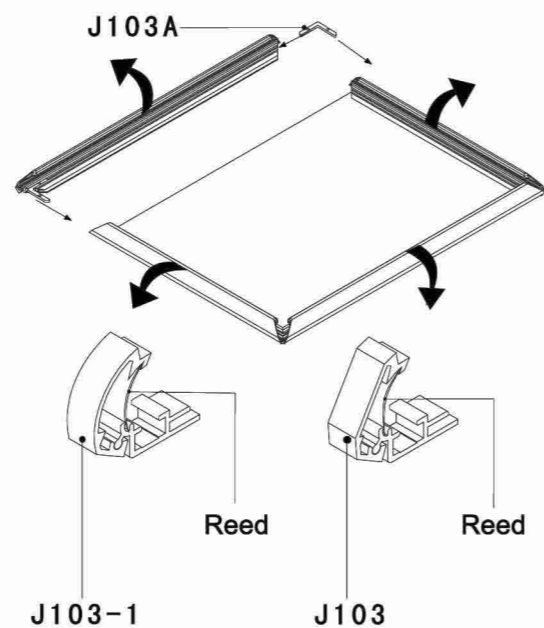


Clip frame system

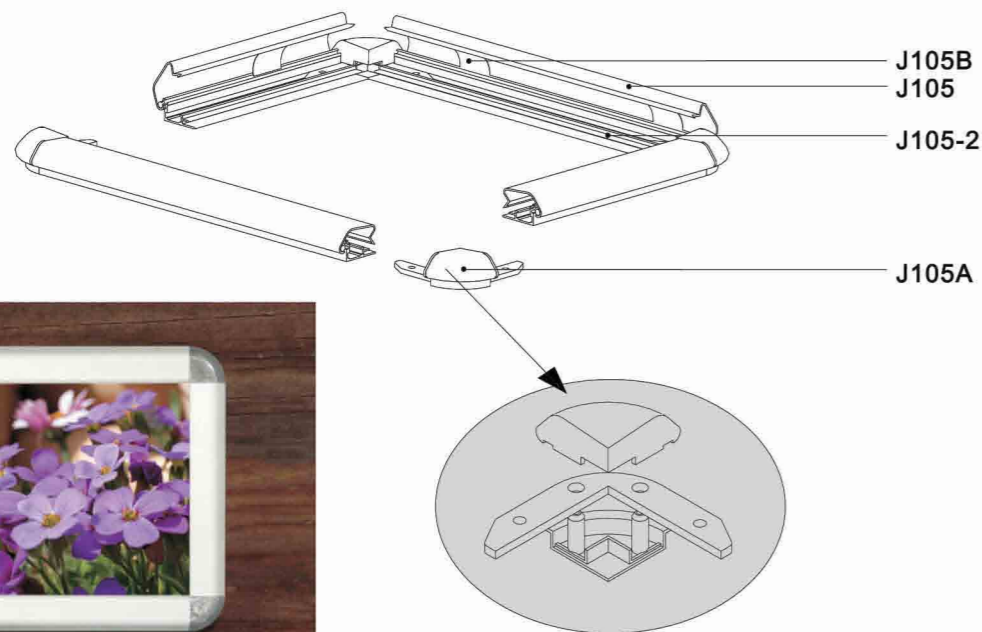


Assemble illustration:
J100 frames(top&below) but without left and right sides should be punched holes, the corners should be cut by 45 degree, then insert the Aluminium plastic plate.

Assembly Instruction for J100



Assembly Instruction for J103



Assembly Instruction for J105

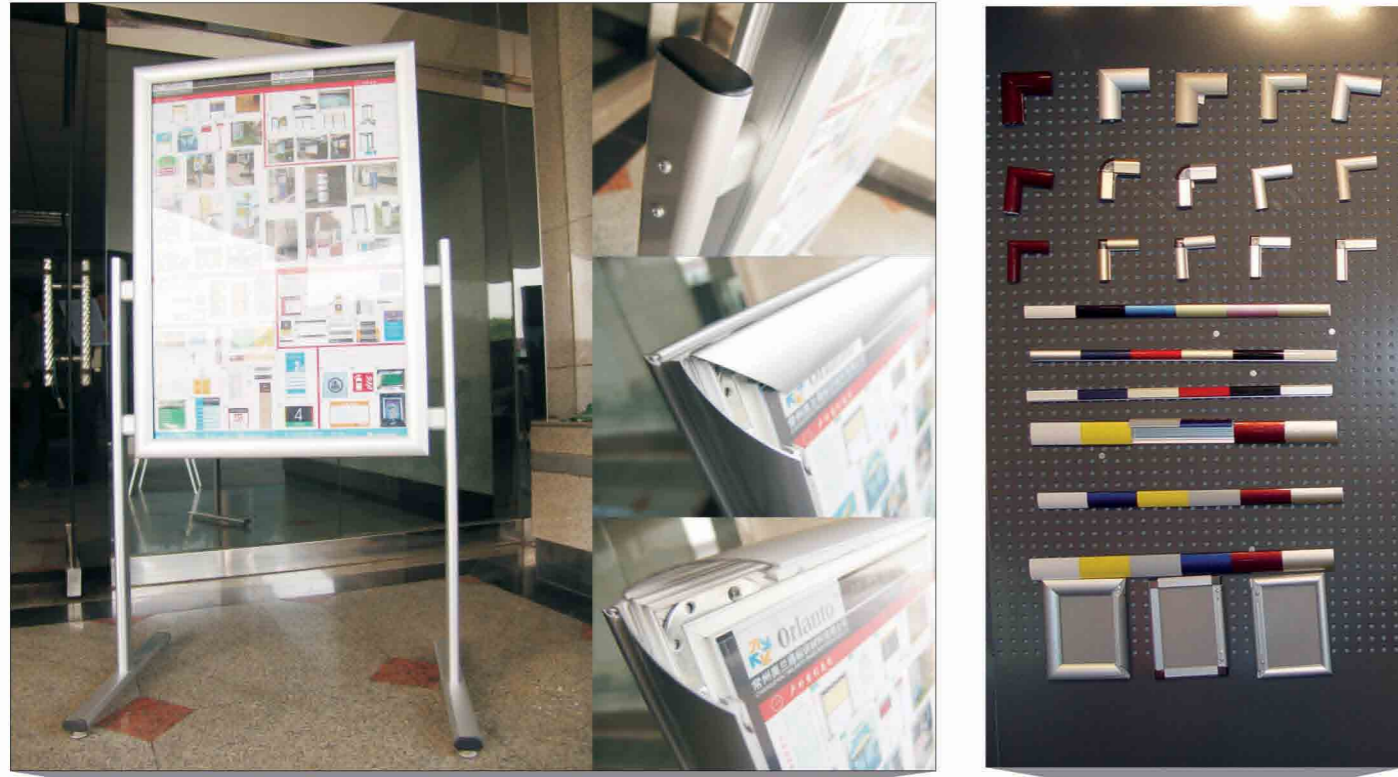
Standard Profiles

Article No	Standard profiles	Profile sketch	Size	Picture of profile
J103	Alu-profile 20mm		6m/pcs	
J103-1	Alu-profile 20mm		6m/pcs	
J20	Alu-profile 20mm		6m/pcs	
J25	Alu-profile 25mm		6m/pcs	
J105	Alu-profile 30mm		6m/pcs	
J32	Alu-profile 32mm		6m/pcs	
J44	Alu-profile 44mm		6m/pcs	



Special Colours

- Gold-Elox.
- Powder-coated in all RAL colours
- Blue RAL 5002
- Silver/Chemical polish
- Black RAL 9005
- Red RAL 3020



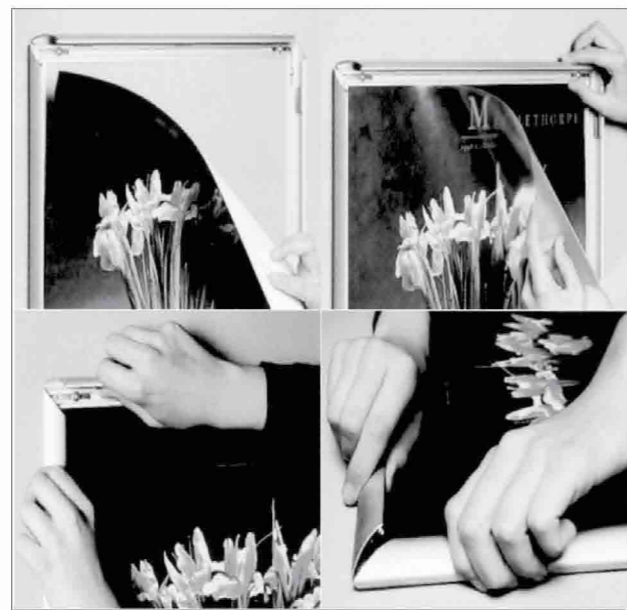
The picture frame is used to protect and decorate the pictures. The Aluminum frame is quite modern: simple and handsome. The contents are more convenient to replace. Users only have to shift the side frame and take the organic films out.

SNAP FRAMES IN VARIOUS COLORS AND SIZES. STANDARD SIZED GIVEN IN THE CATALOGUE ARE THE SIZE OF INTERNAL POSTER, THE EXTERNAL SIZE OF THE FRAME IS 2 TO 4.4 CM LARGER.

Standard clip frame:

- J103 Alu-profile 20mm
- J103-1 Alu-profile 20mm
- J25 Alu-profile 25mm
- J105 Alu-profile 30mm
- J32 Alu-profile 32mm
- J44 Alu-profile 44mm

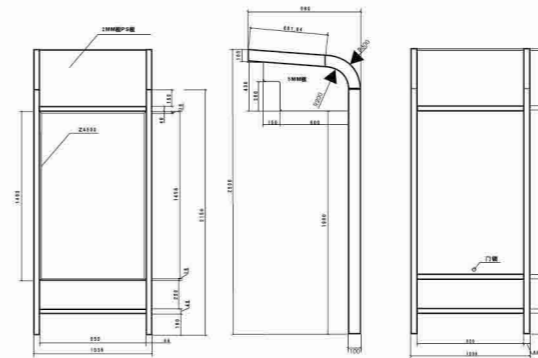
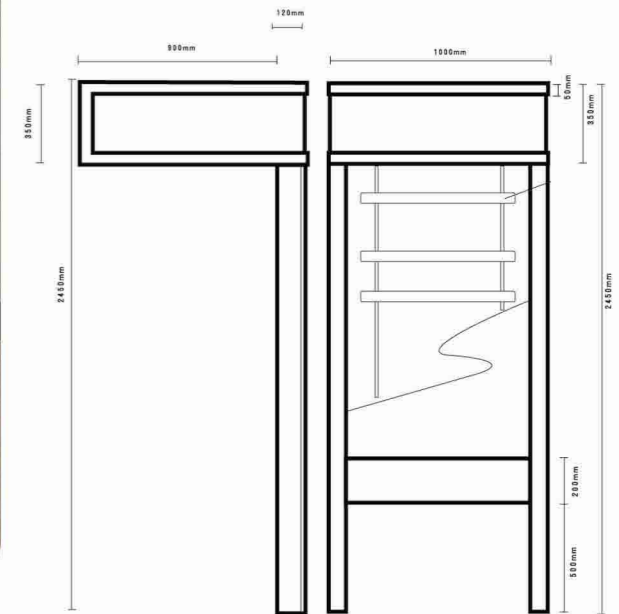
Note: Mitred & Rondo type are available



Size	Article No	Size	Article No
210x297mm	NOA4	500x700mm	NOB2
297x420mm	NOA3	700x1000mm	NOB1
420x594mm	NOA2	508x762mm	NO23
594x841mm	NOA1	762x1016mm	NO34
		1016x1524mm	NO46



ATM IS WIDELY USED BANKS OR PUBLIC SQUARE FOR TAKE CASH CONVENIENTLY





ATM SERIES



Design Consultancy

Indoor & Outdoor Signage

Light Box System

Building Index Sign

Modular System

Building Index Sign

Architectural System

Event Management

Light Box System

Acrylic Sign System

Design Consultancy

Outdoor Pylon Sign System



Design Consultancy - Indoor & Outdoor Signage - Building Index Sign - Modular System - Architectural System
Event Management - Light Box System - Acrylic Sign System - Outdoor Pylon Sign System

www.dsign.sa.com
e-mail: dsign@dsign.sa.com